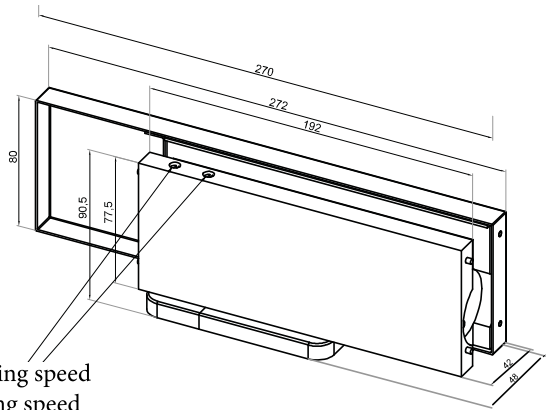
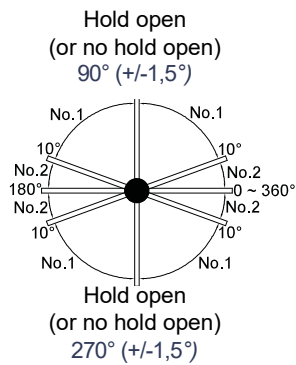
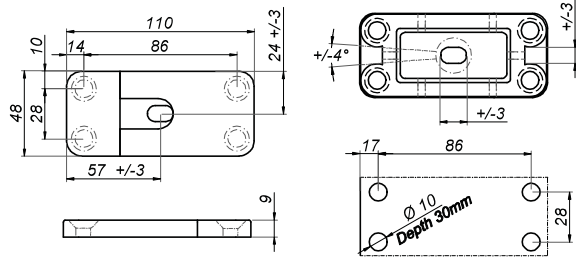


Door closers

**360° central pivot hydraulic patch for glass door
+ top fitting with axis**

N360200-SET



Product code	Finish
N360200-SET-SS	satin
N360200-SET-B	black matte
Properties	
Glass thickness	10-12 mm
Max. door width	2500 mm
Max. door weight	200 kg
Range	360°
Hold open	90°, 270°
Two adjustment sections	
Closing speed adjustment range	90° - 10°
Latching speed adjustment range	10° - 0°
Mounting foot adjustment range	
Side adjustment	+3 mm
Front-back adjustment	+3 mm
Tested for 200,000 operating cycles	

Door closers

Measuring schema

N360200-SET

