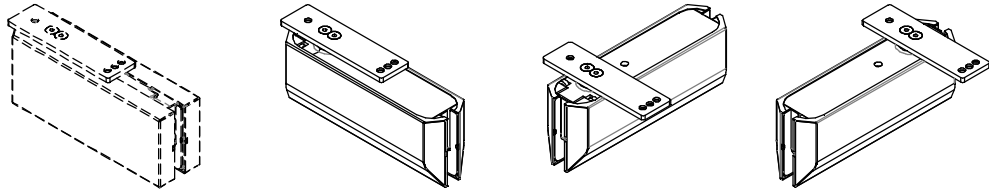
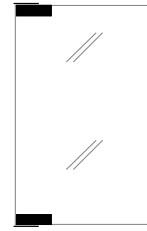


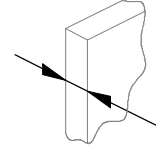
TOP



TOP

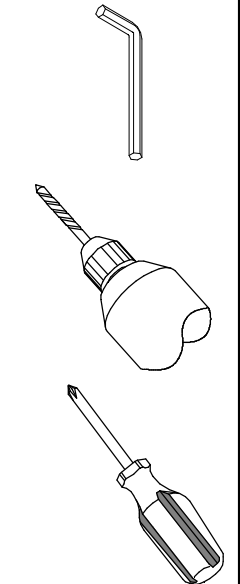


BOTTOM



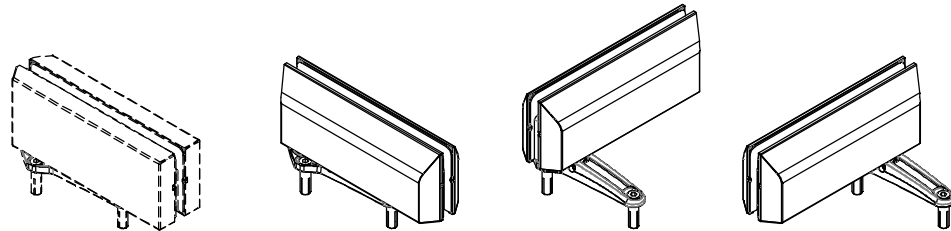
8 ÷ 19.5 mm  
5/16" ÷ 3/4"

GLASS

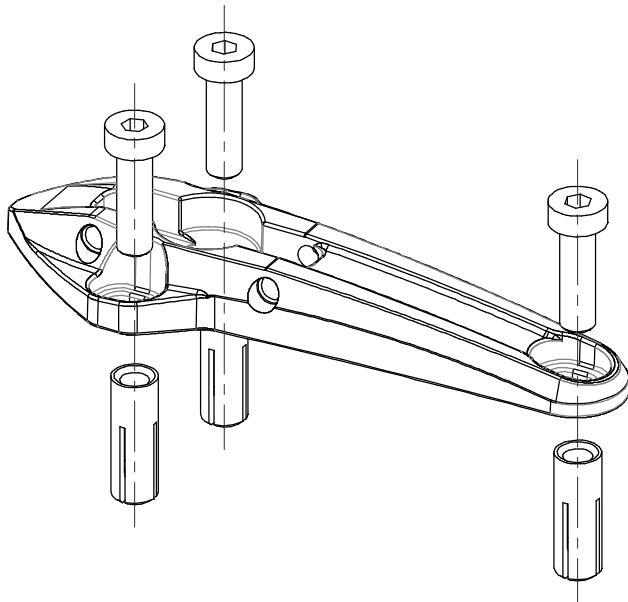


Tools required

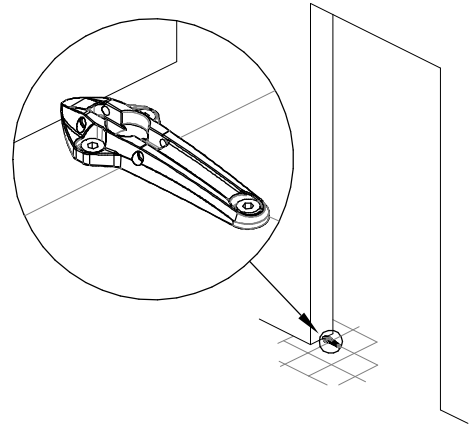
BOTTOM



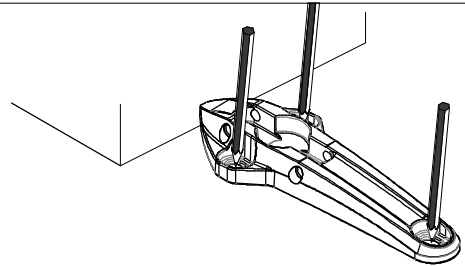
FLOOR BASE PLATE



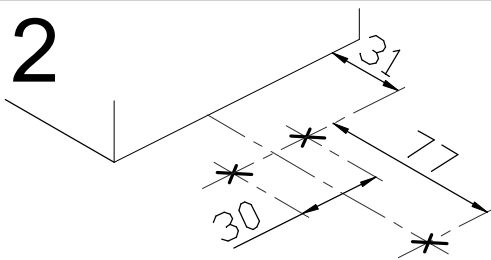
FLOOR BASE PLATE FIXING



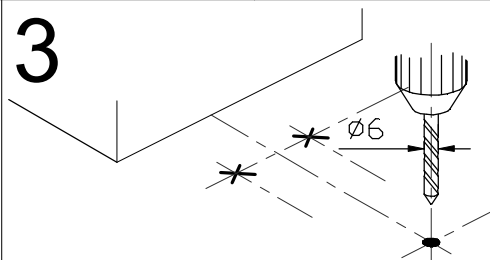
1



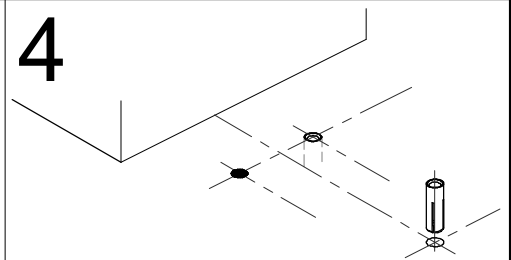
2



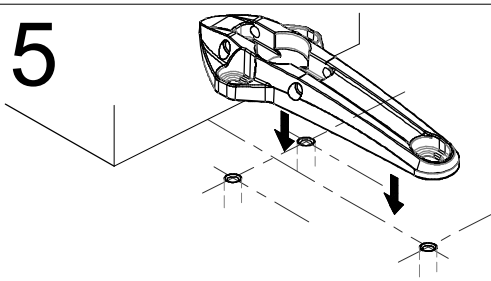
3



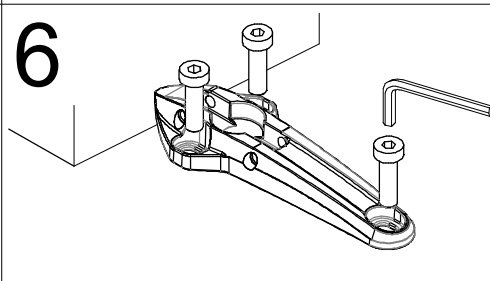
4



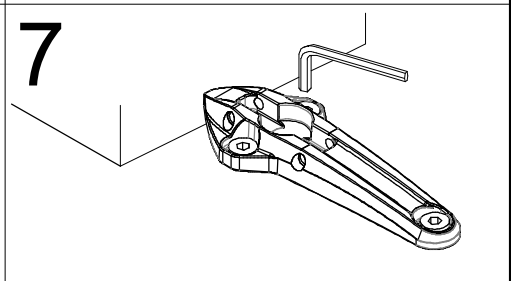
5



6



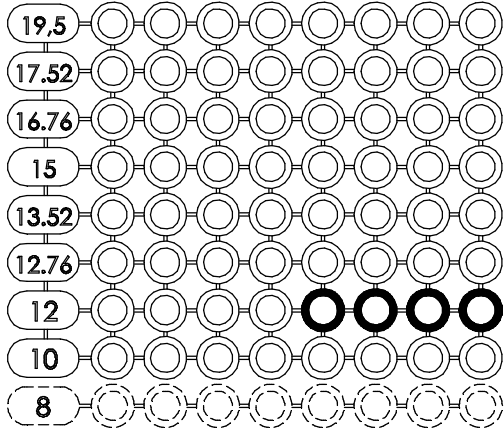
7



## 8

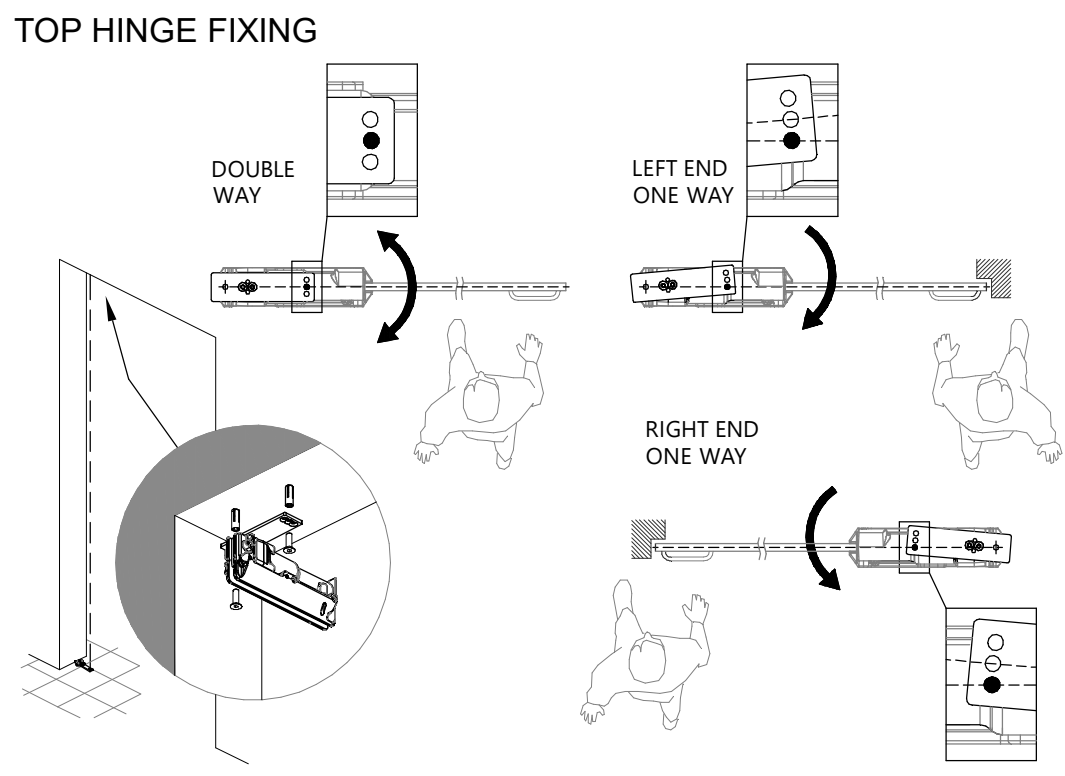
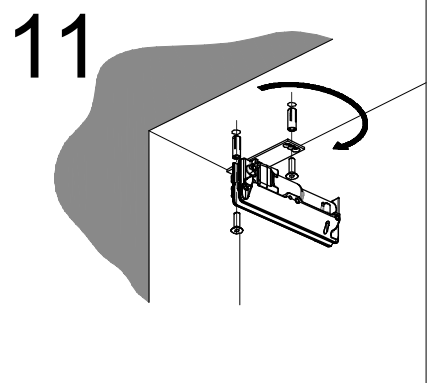
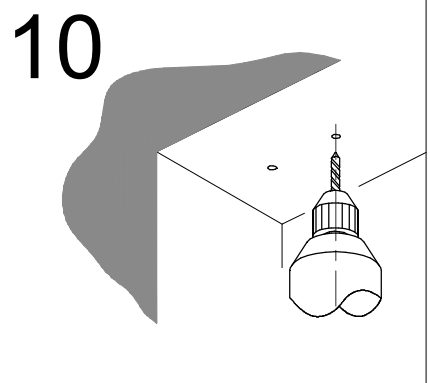
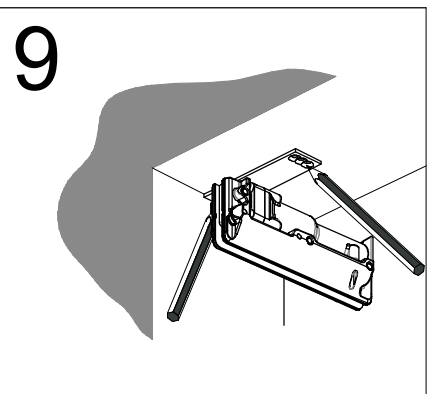
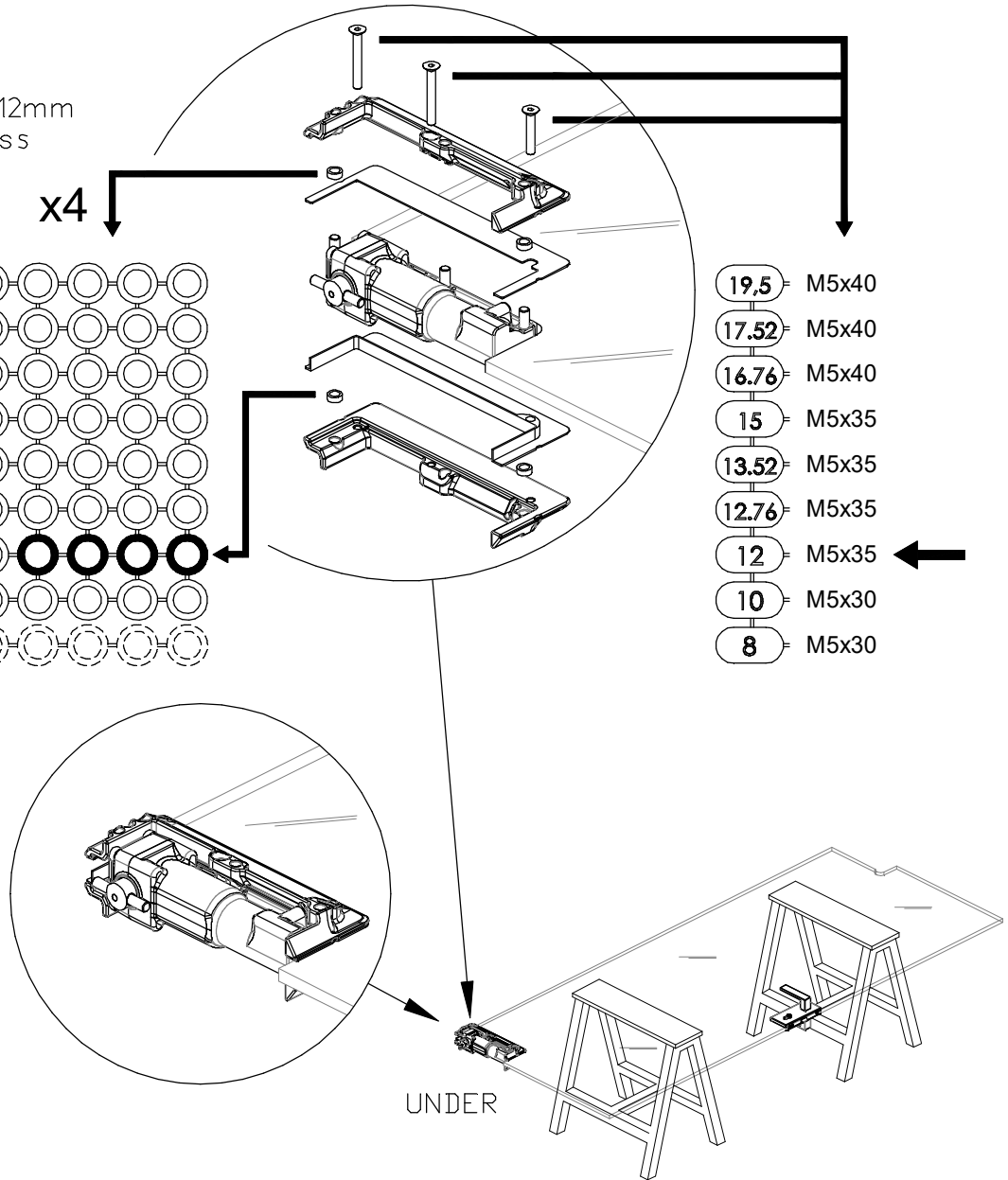
ESEMPIO: vetro spessore 12mm  
 EXAMPLE: 12mm thick glass

x4



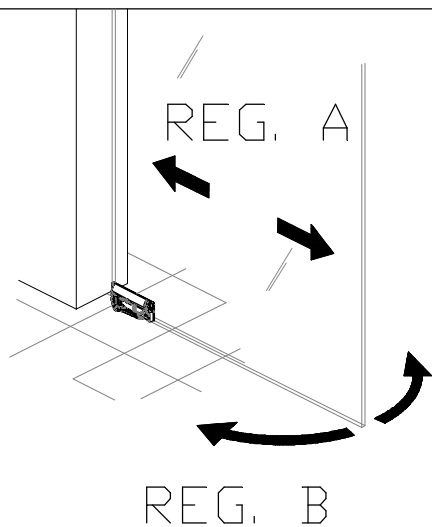
Per vetri da 8 mm non sono necessari gli spessori  
 Thicknesses are not required for 8mm glasses

- 19.5 M5x40
- 17.52 M5x40
- 16.76 M5x40
- 15 M5x35
- 13.52 M5x35
- 12.76 M5x35
- 12 M5x35
- 10 M5x30
- 8 M5x30



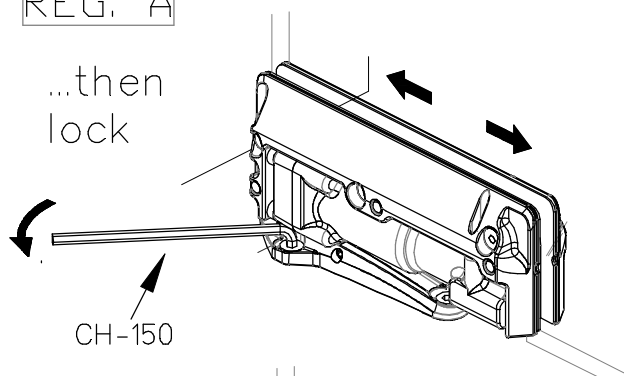


## 17 ADJUSTMENTS

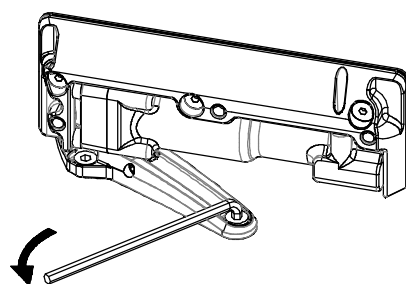


REG. A

...then lock

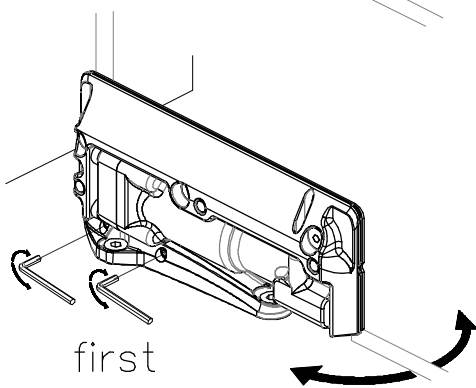


first reg...

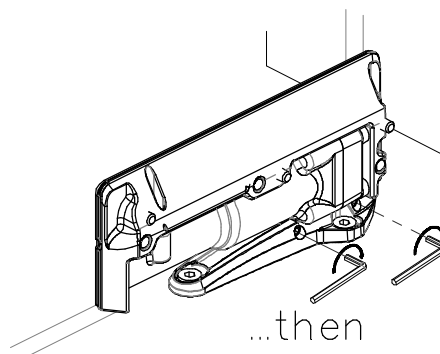


REG. B

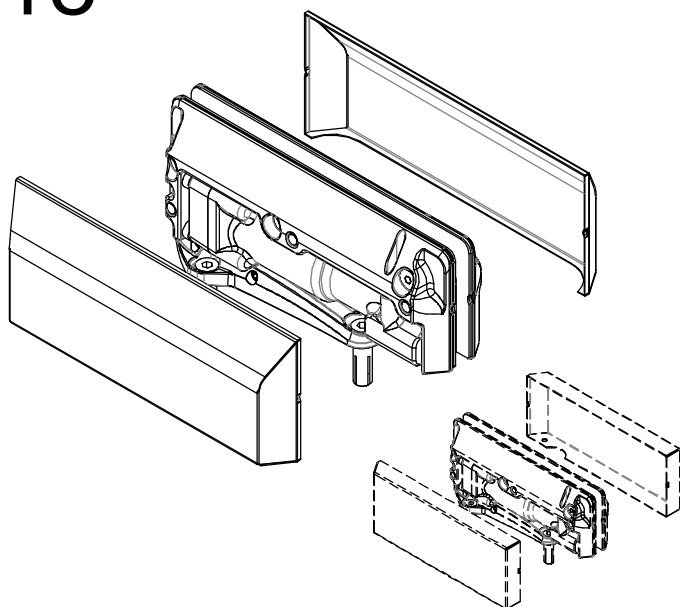
first reg...



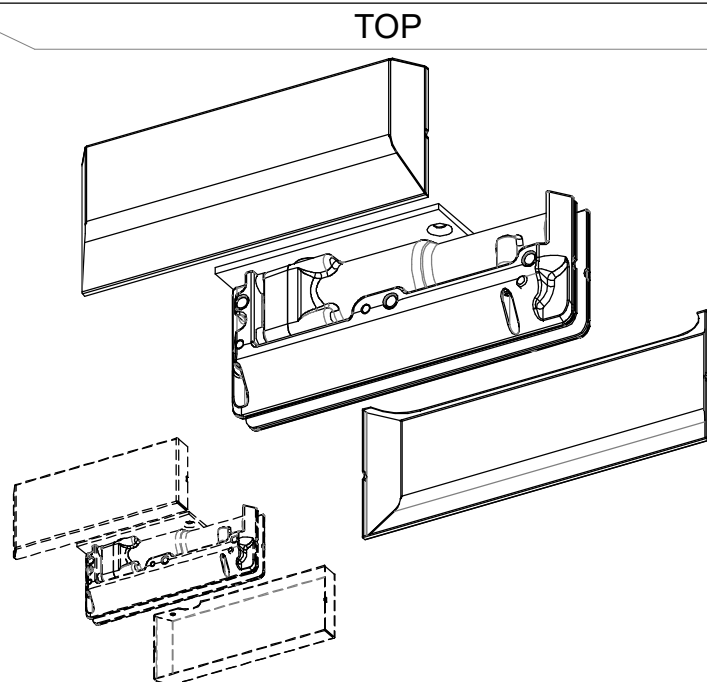
...then lock



## 18 COVER



BOTTOM



TOP