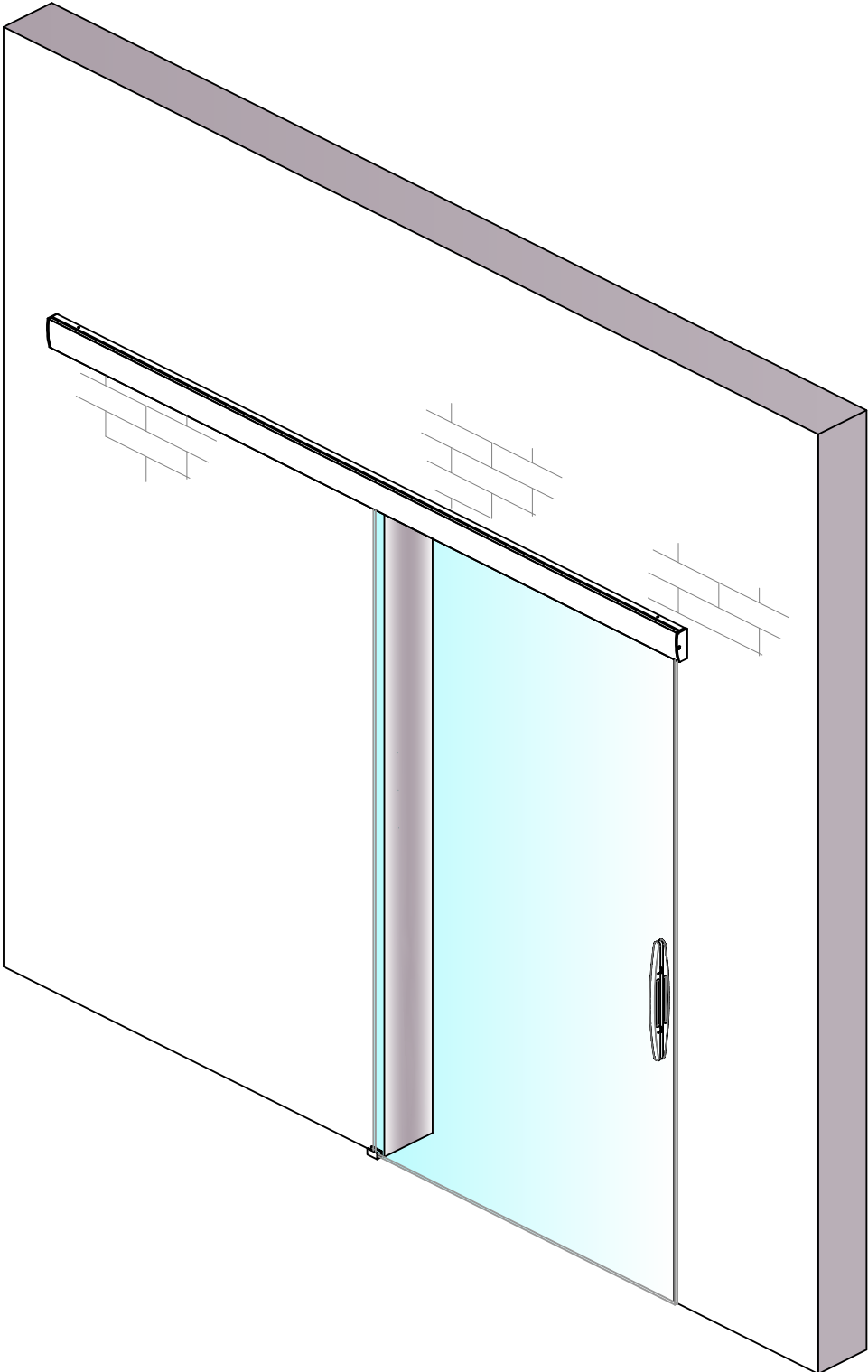


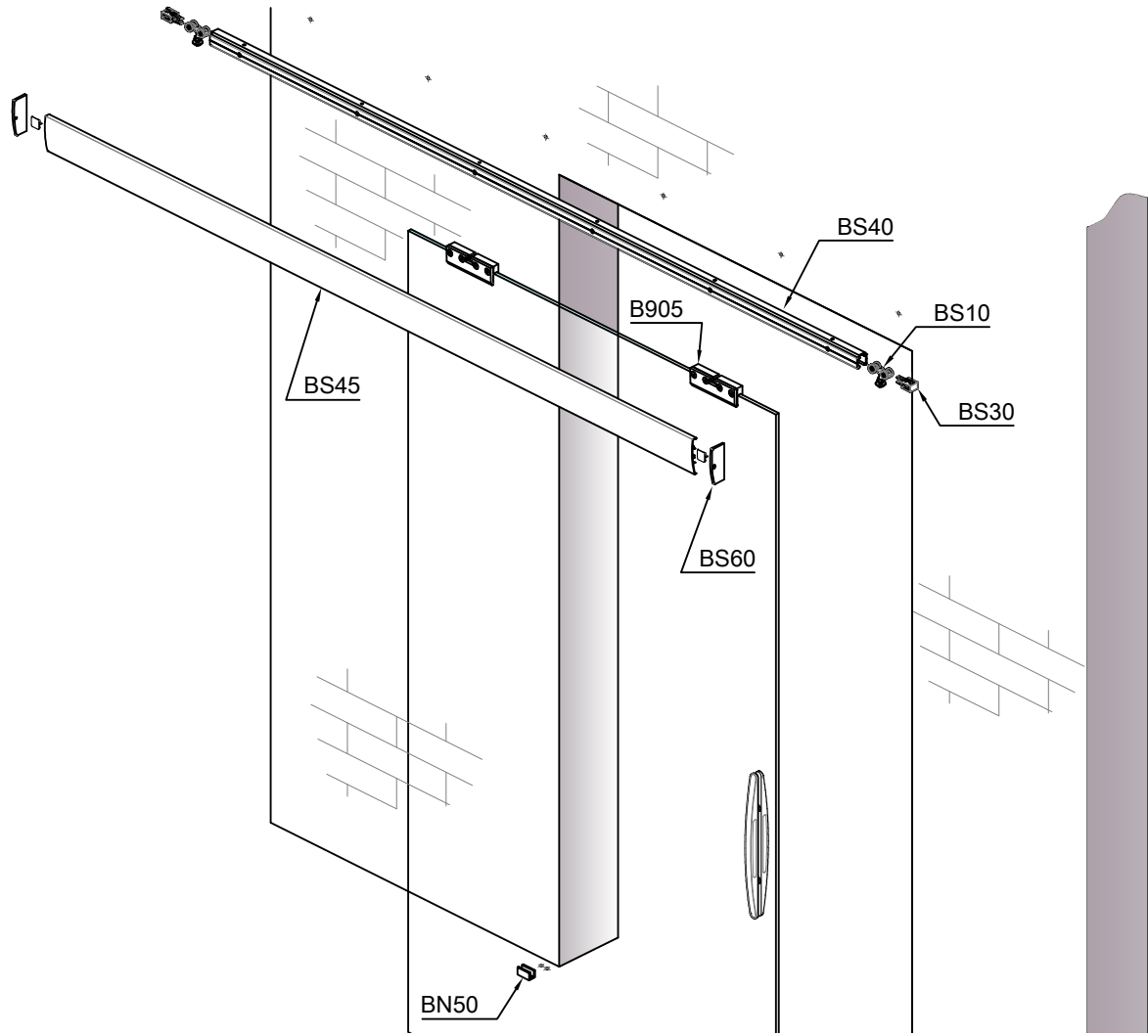
Slak SYSTEM

One-leaf "Slak" sliding door Kit
wall mount



Installation instructions

Slak SYSTEM

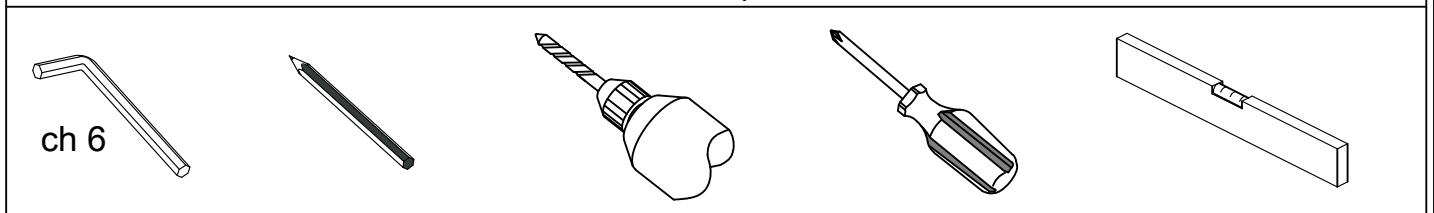


Packing List

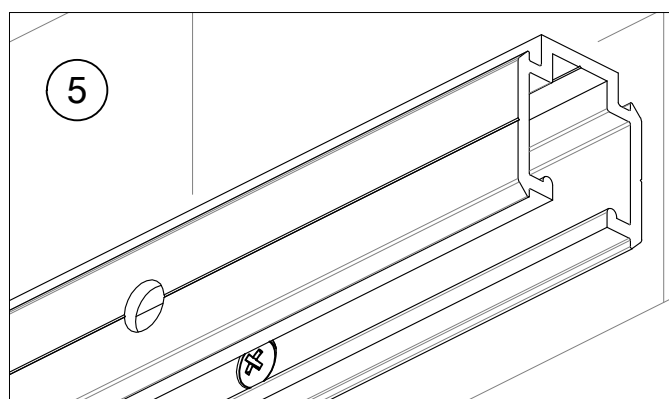
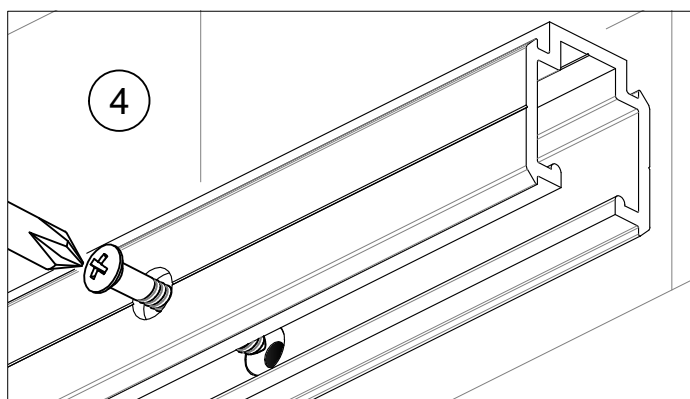
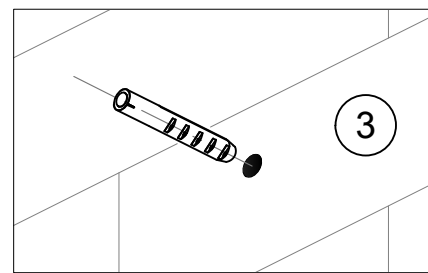
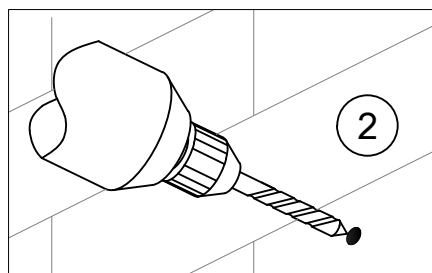
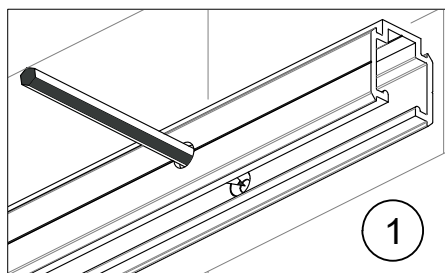
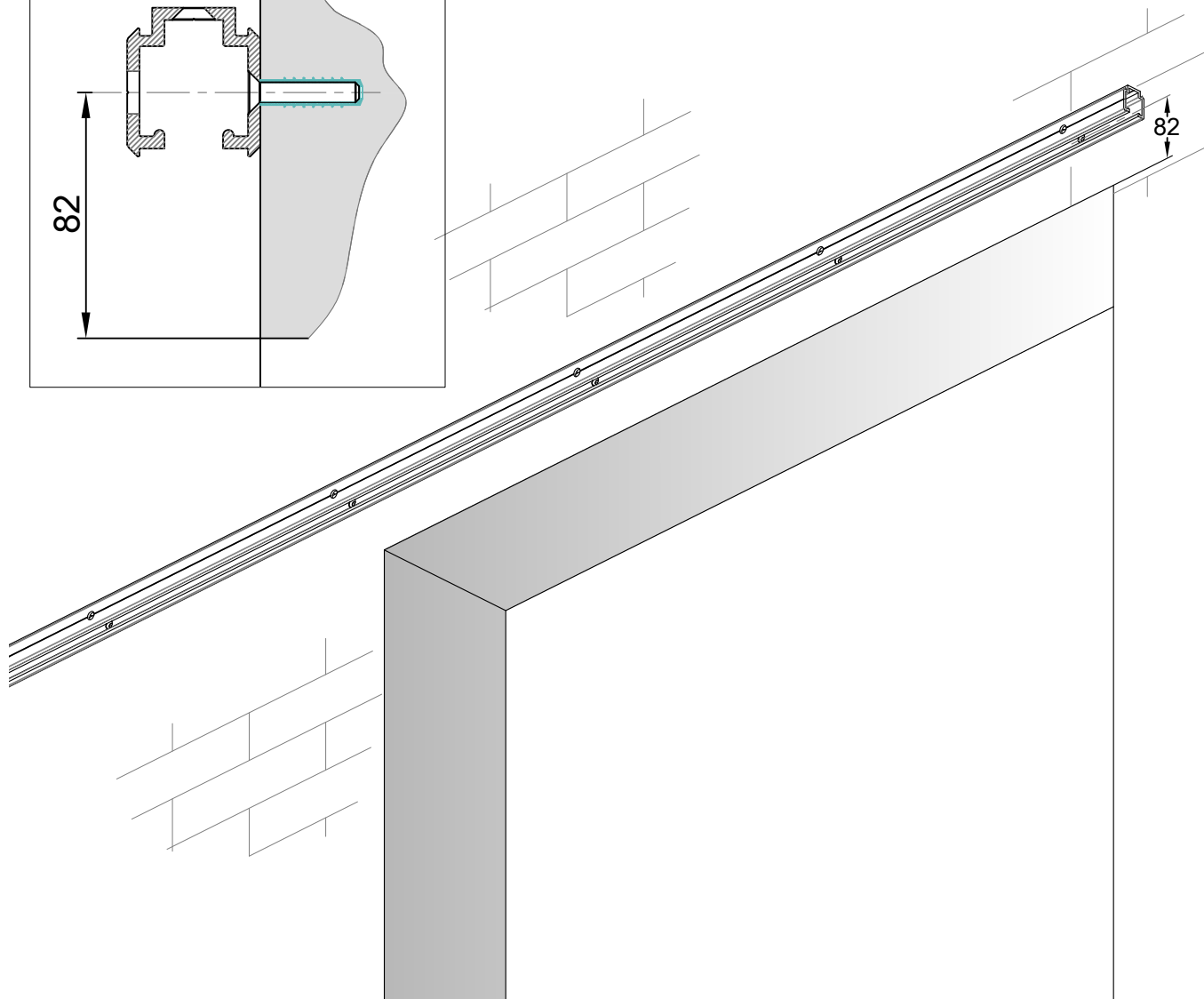
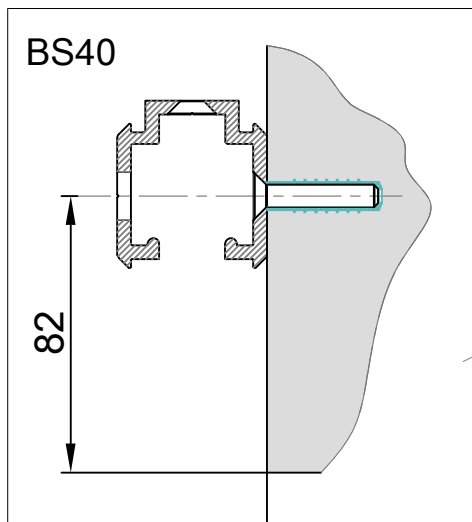
| 1 x BS00 | 1 x BS40 | 1 x BS45 | 1 x BS60 |
|----------|----------|----------|----------|
| | | | |

| Optional safety pin | Tools supplied | Fittings required |
|---------------------|----------------|-------------------|
| <p>N20620</p> | <p>CH-B905</p> | <p>n x Ø 5</p> |

Tools required

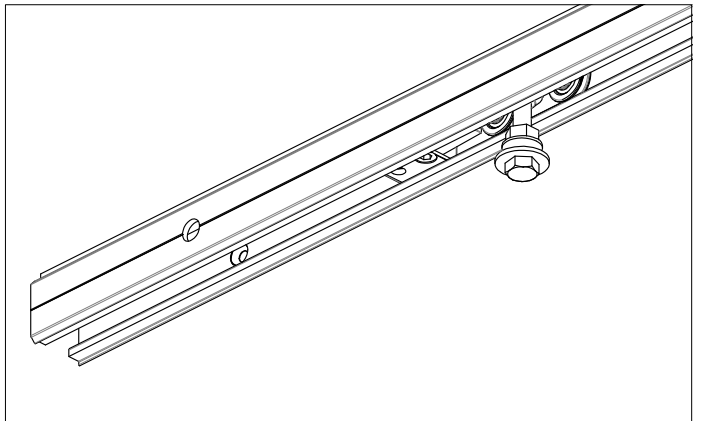
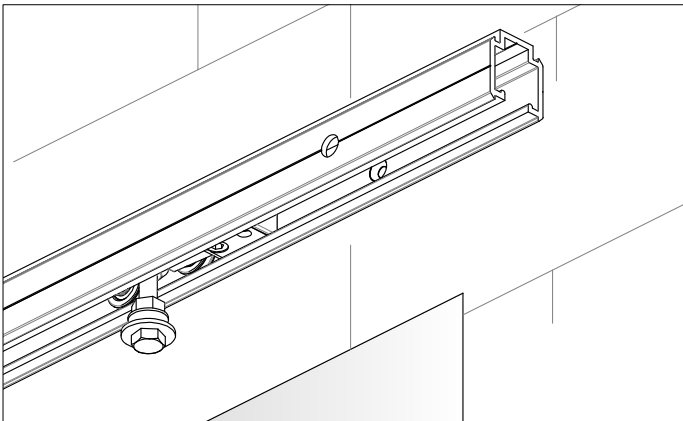
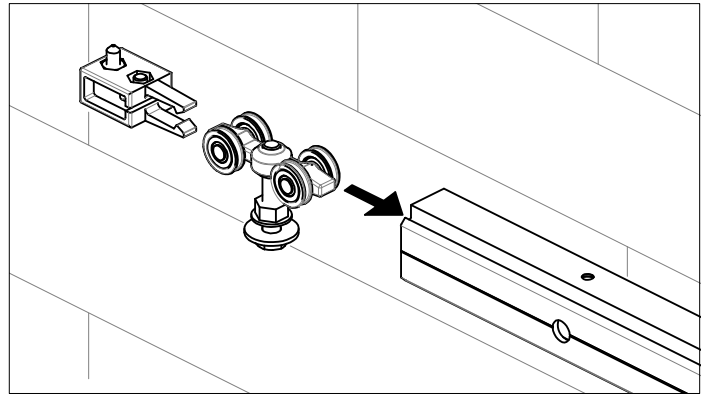
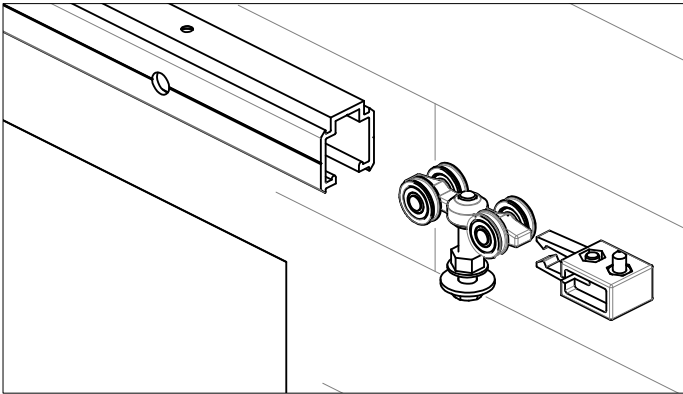


Slak SYSTEM

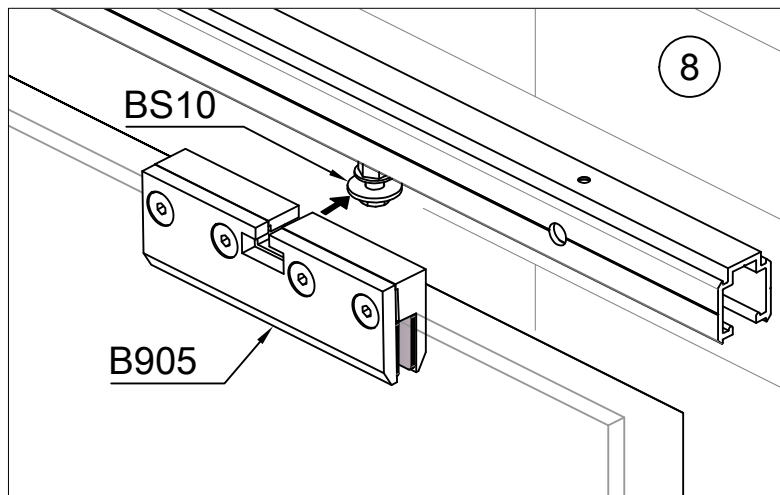
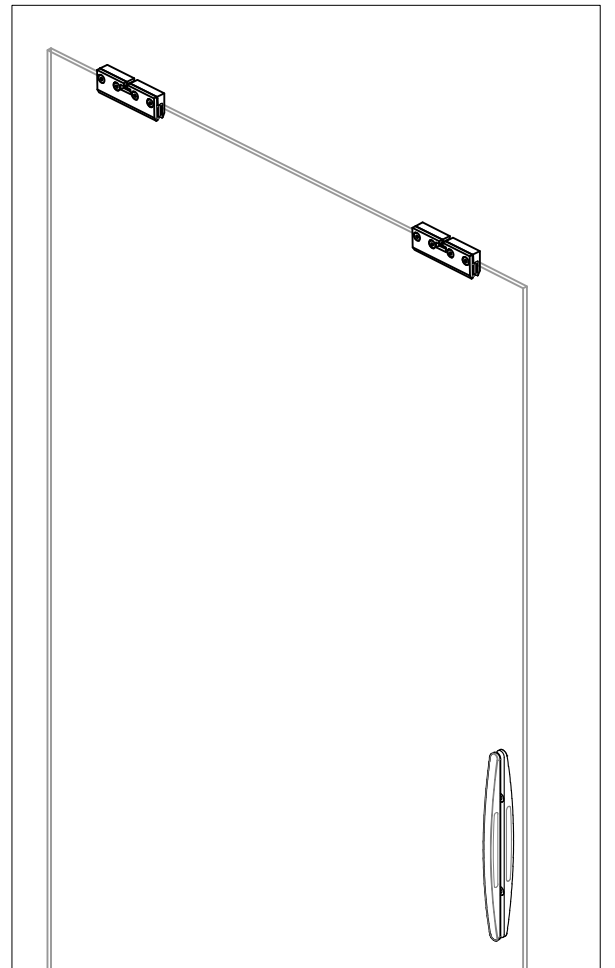
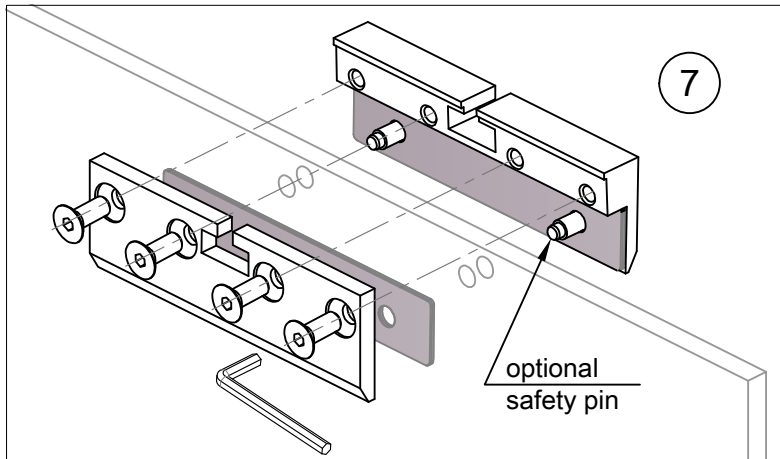


Slak SYSTEM

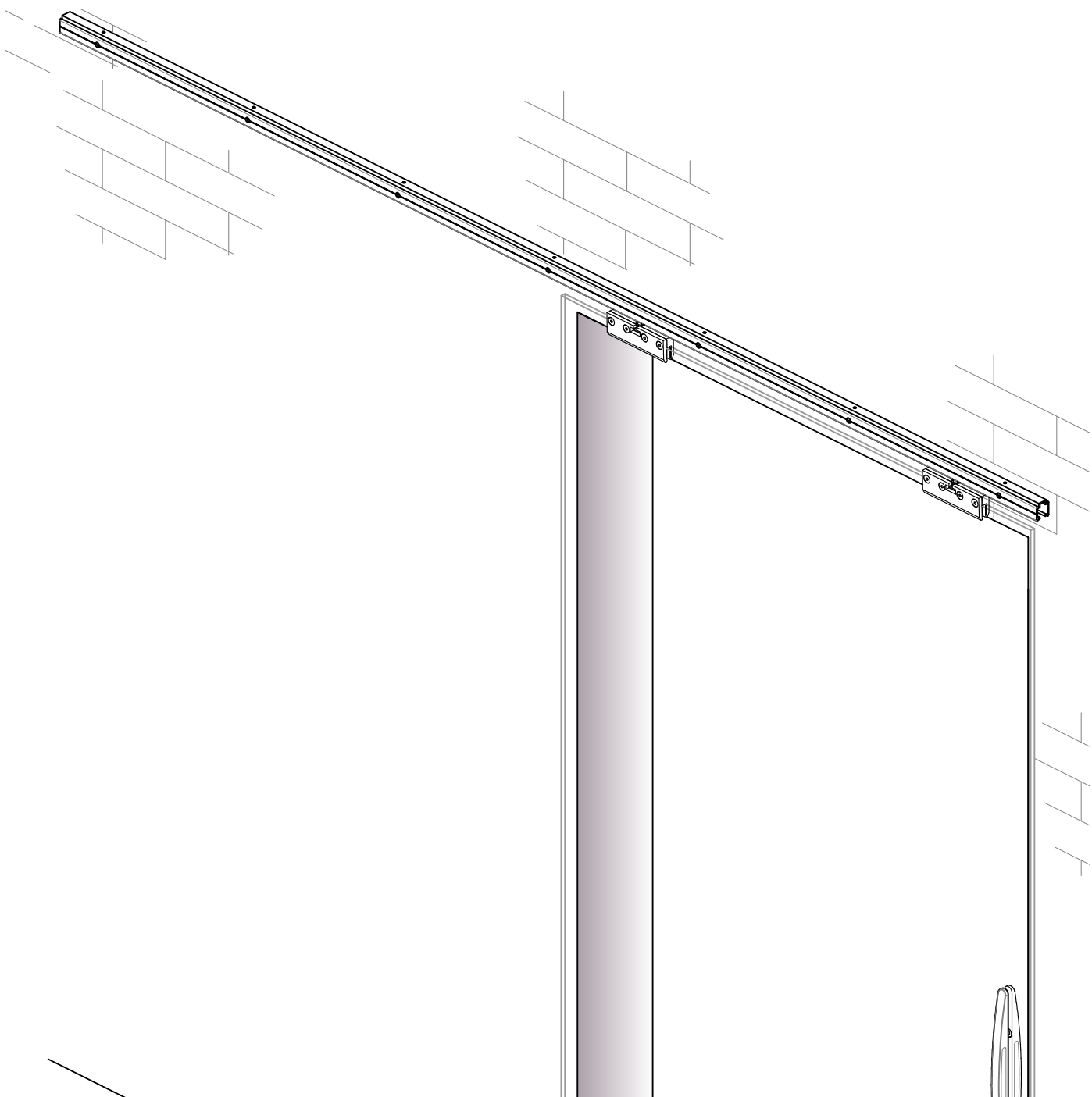
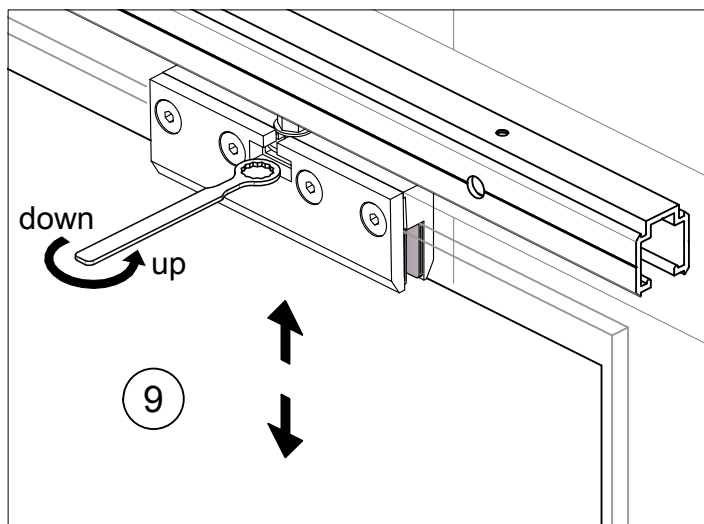
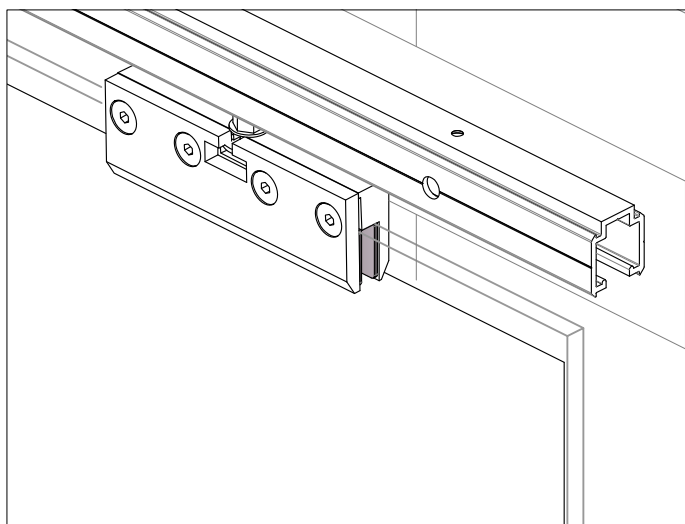
BS10- BS30 (6)



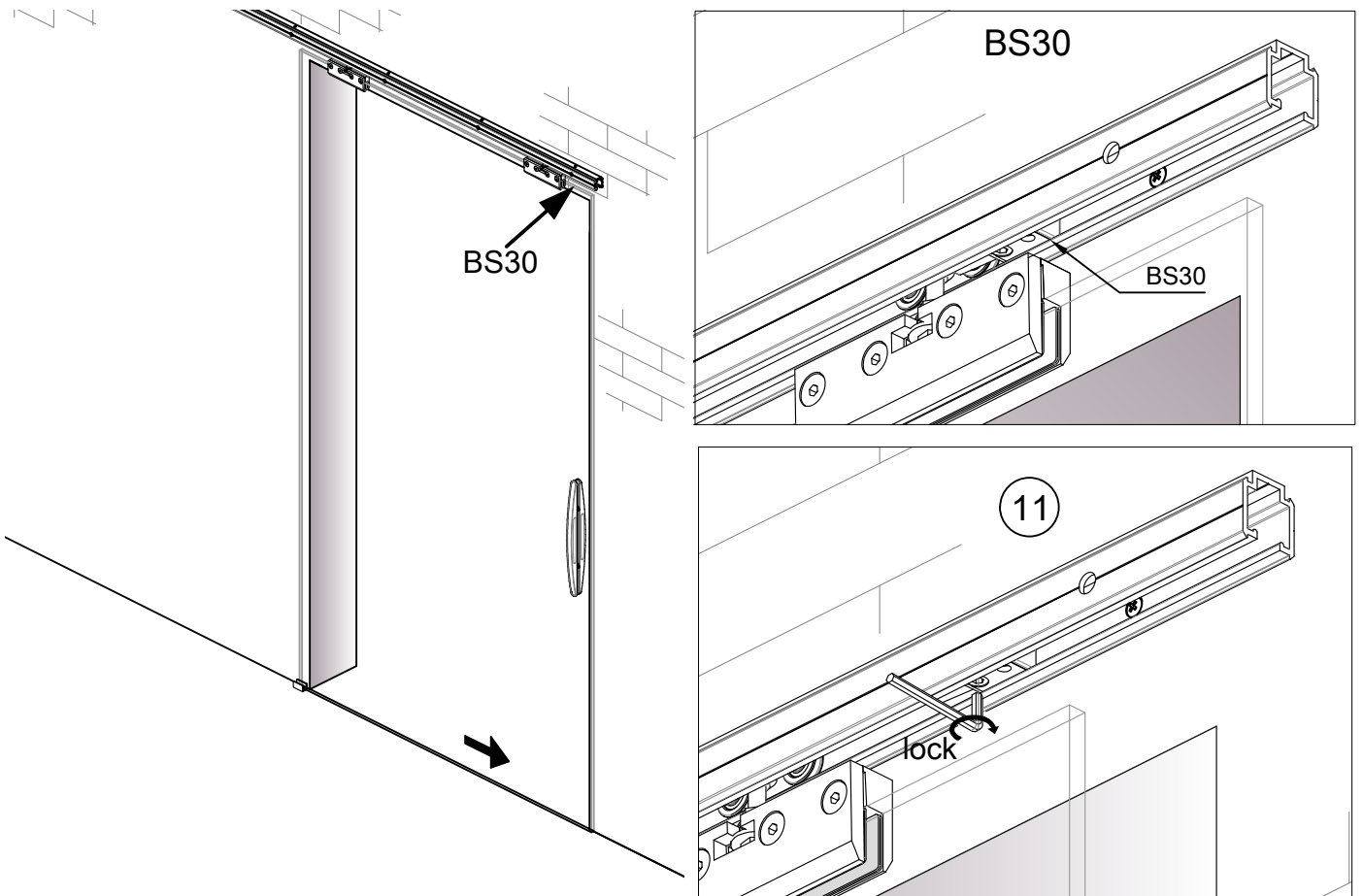
B905x2



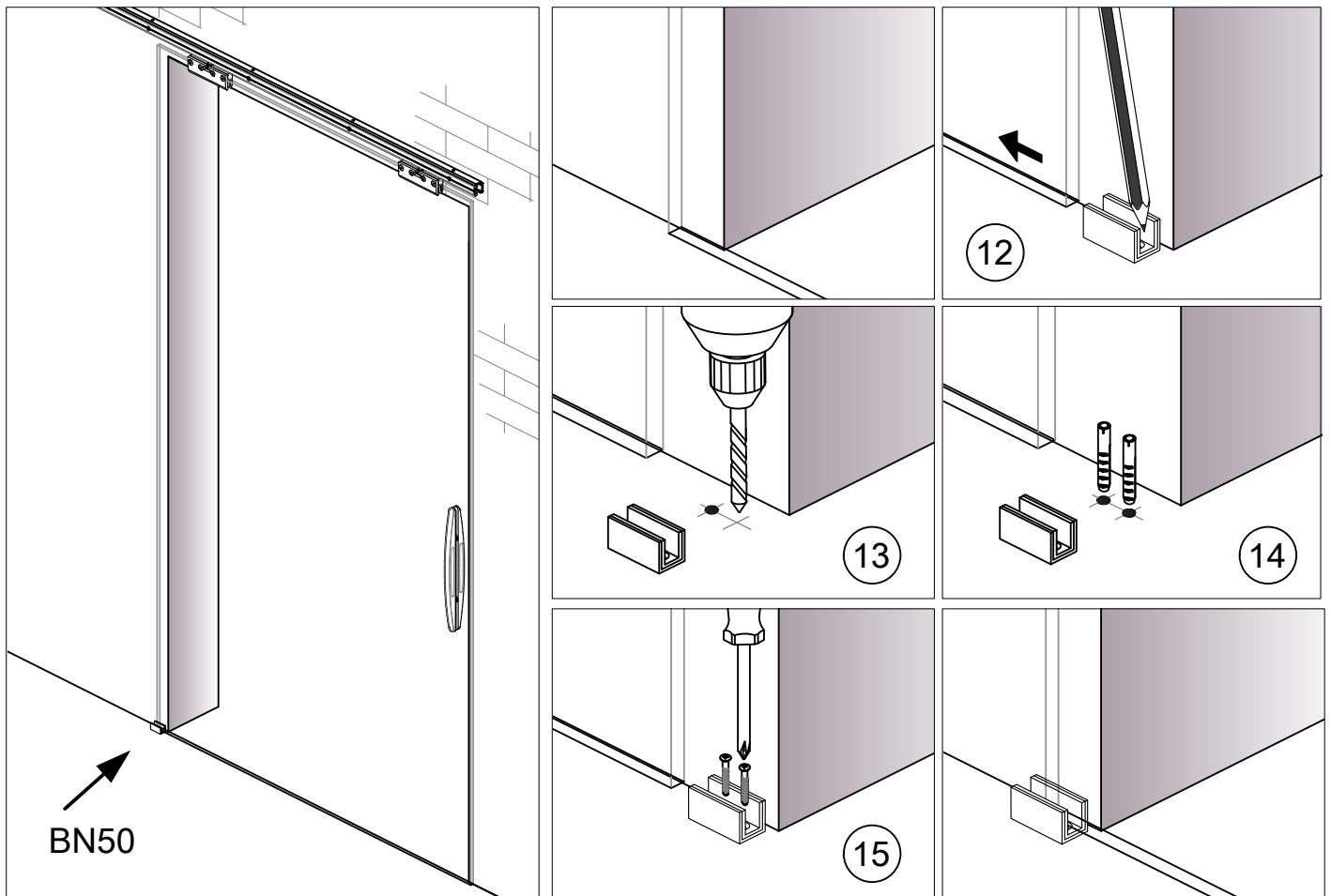
Slak SYSTEM



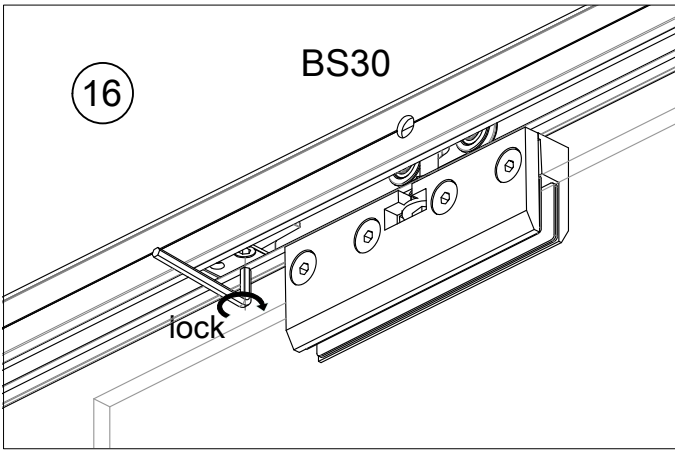
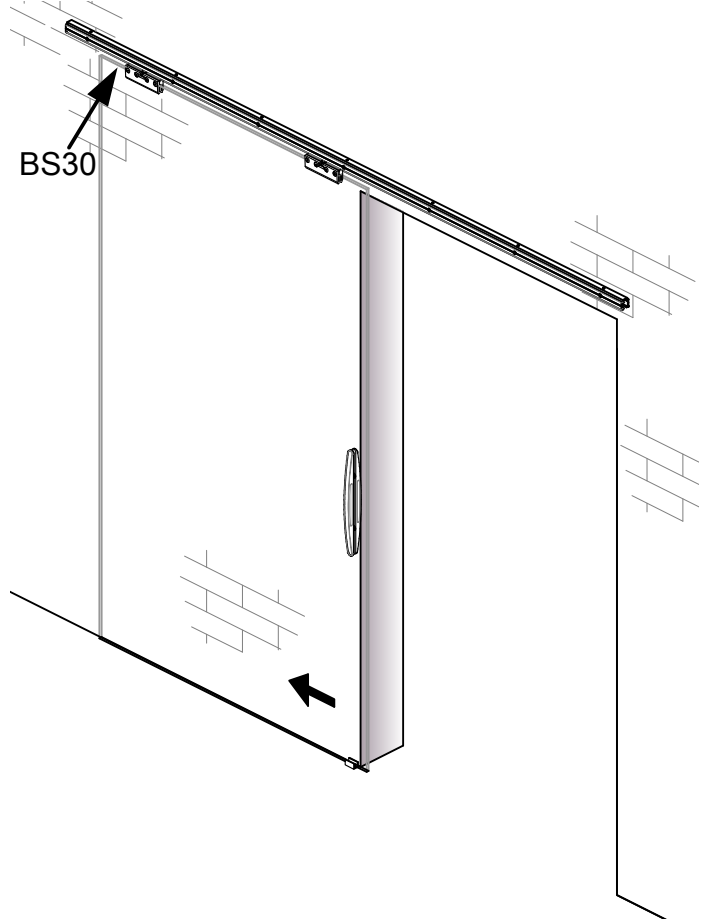
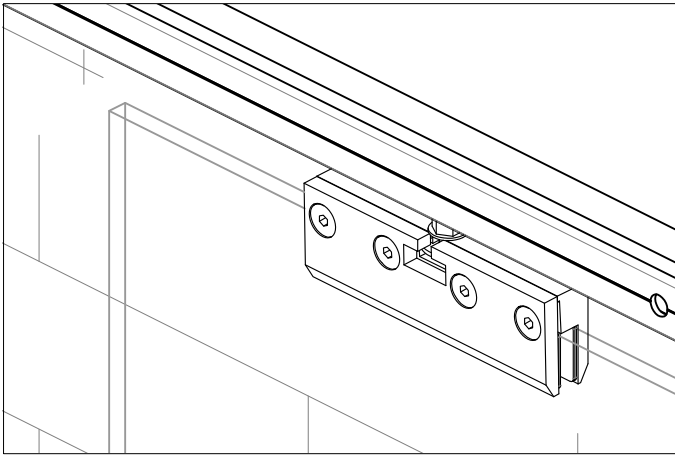
Slak SYSTEM



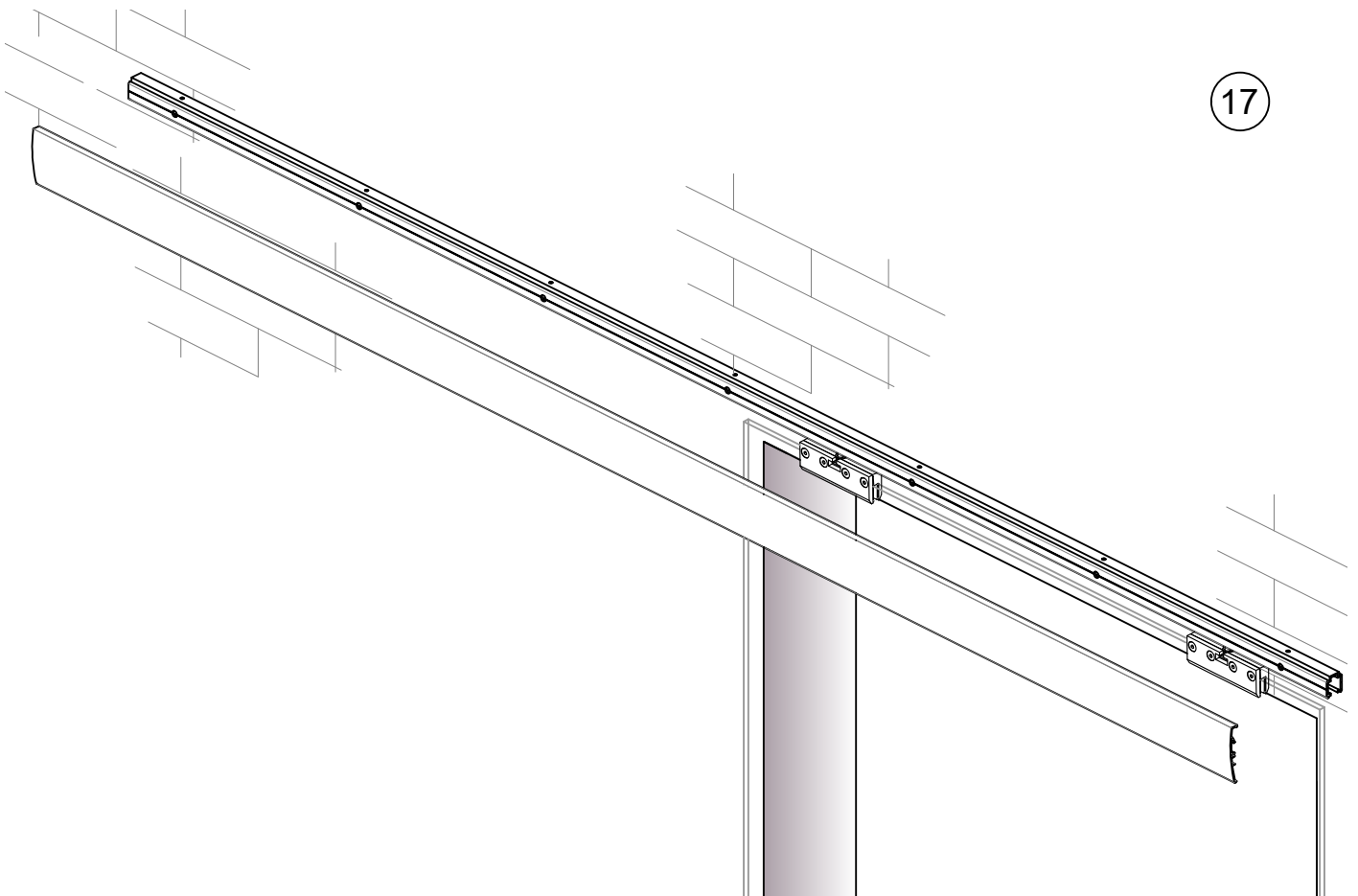
BN50



Slak SYSTEM



BS45



Slak SYSTEM

