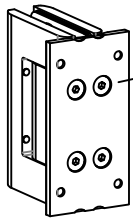


INNER DOORS

BILOBA

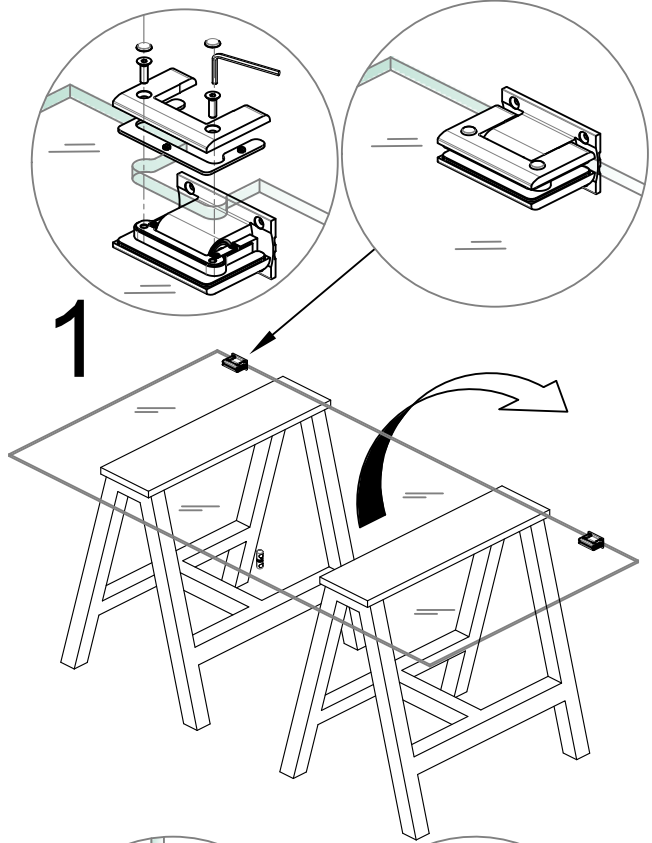
8010

INNER DOORS		BILOBA		8010			
				Tools required 		Fittings required 	
<p>8 ÷ 13,52</p> <p>GLASS</p>		<p>SEALS</p>					

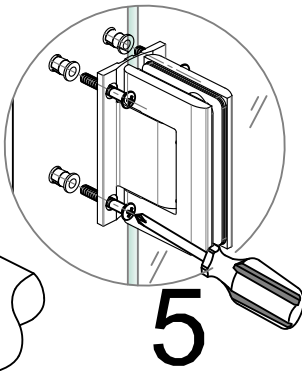
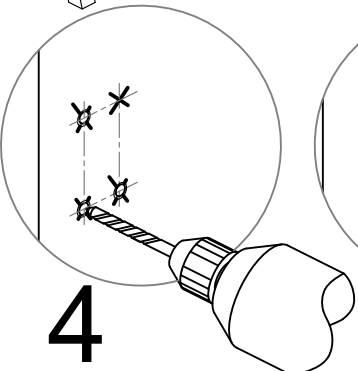
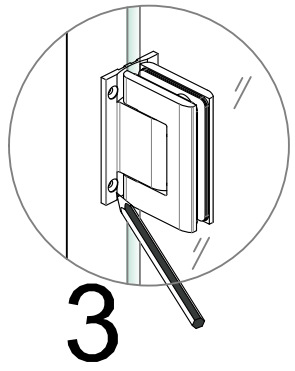
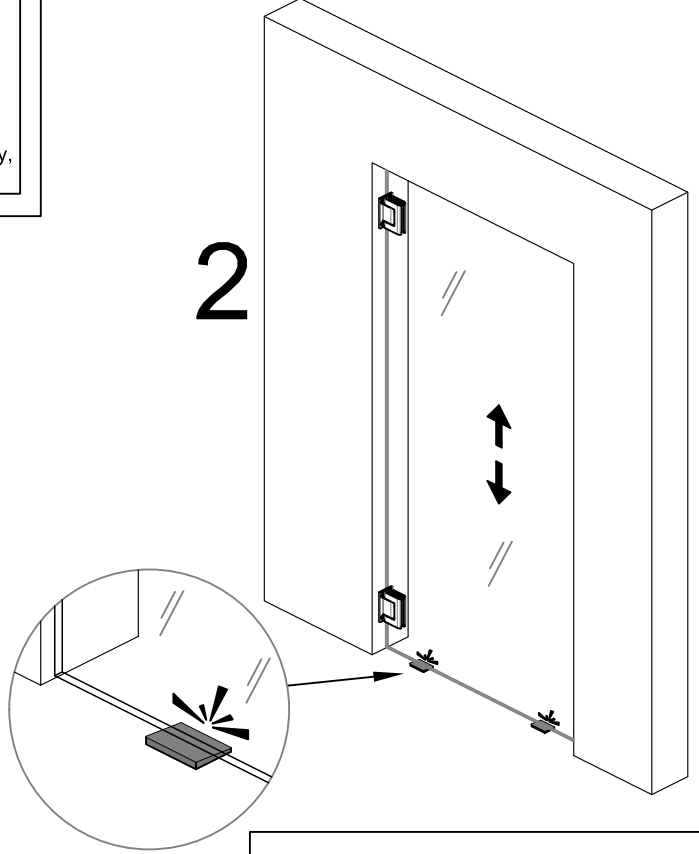


Queste viti sono serrate a 10Nm dalla fabbrica, è vietato svitarle o allentarle

These screws are tightened at 10 Nm from the factory, it is forbidden to unscrew or loosen them



2



**ONLY FOR HYDRAULIC HINGE
NOT FOR SOL VERSION**

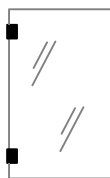
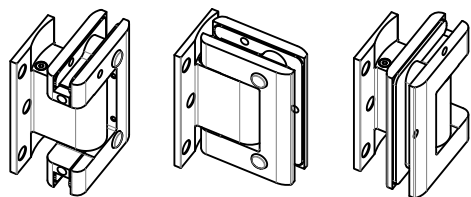
slow → fast

closing speed adjusting

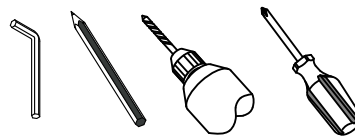
INNER DOORS

BILOBA

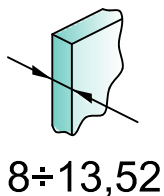
8011



Tools required

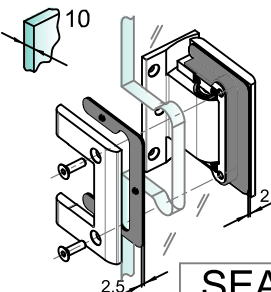
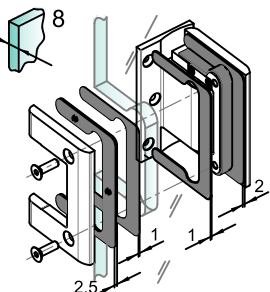


Fittings required

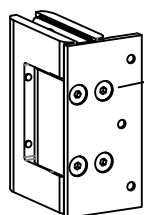
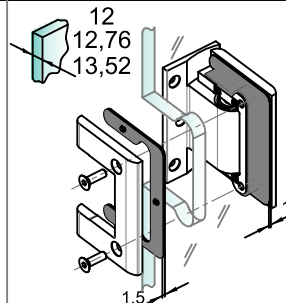
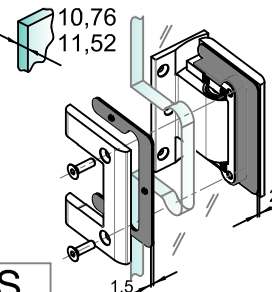


8÷13,52

GLASS



SEALS

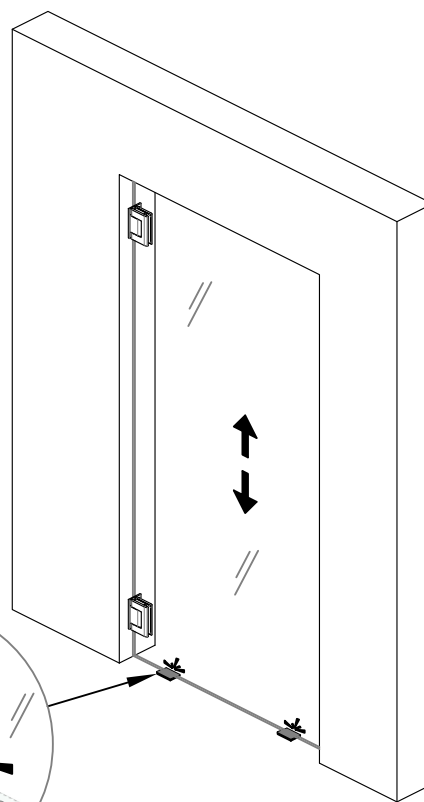


Queste viti sono serrate a 10Nm dalla fabbrica, è vietato svitarle o allentarle

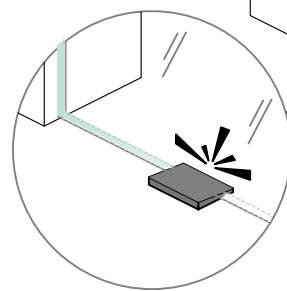
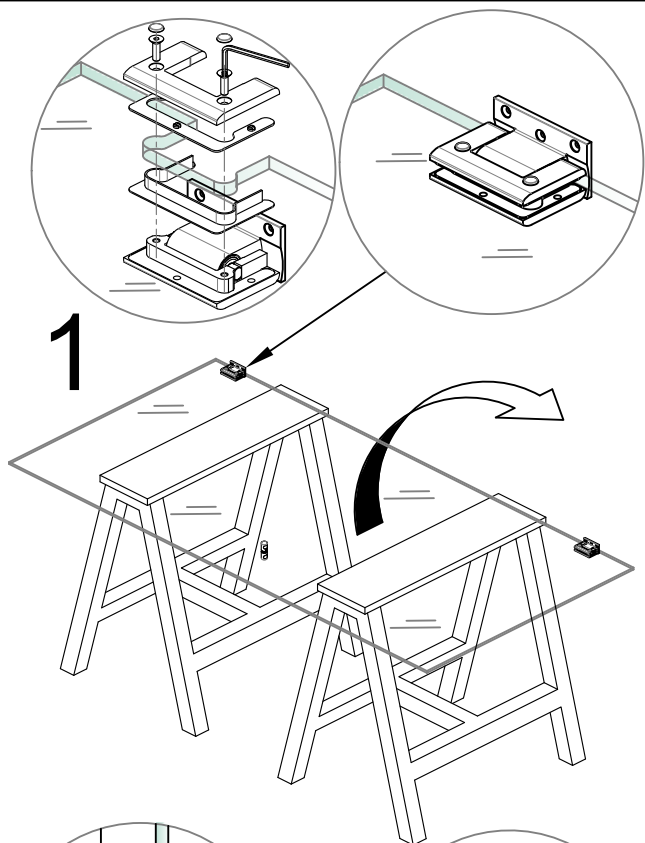


These screws are tightened at 10 Nm from the factory, it is forbidden to unscrew or loosen them

2



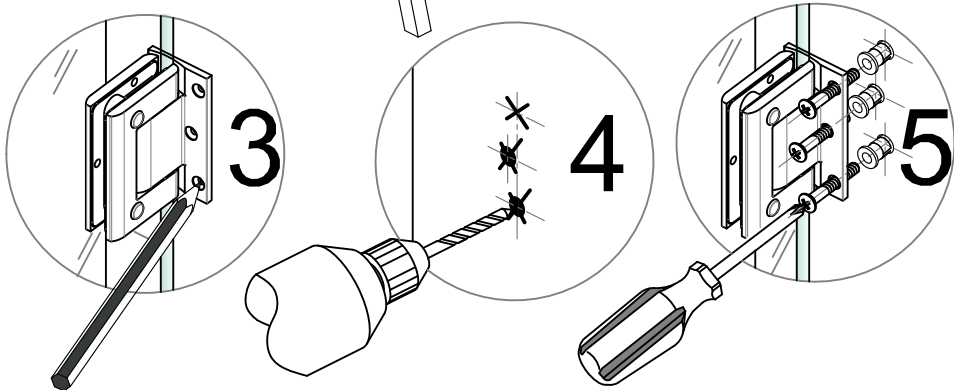
1



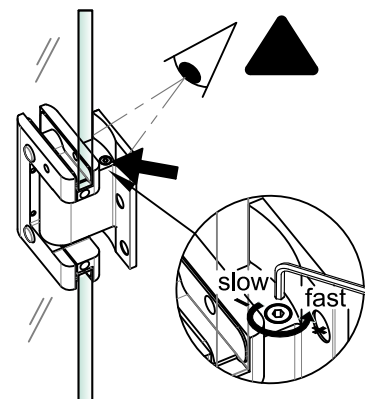
3

4

5



ONLY FOR HYDRAULIC HINGE
NOT FOR SOL VERSION



closing speed adjusting