



We Build the Invisible

SLAB NOSE RAILING



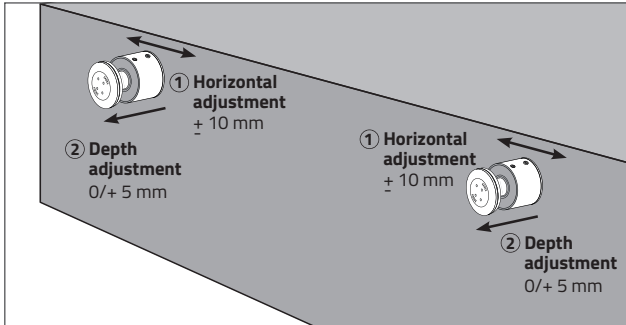


SLAB NOSE RAILING

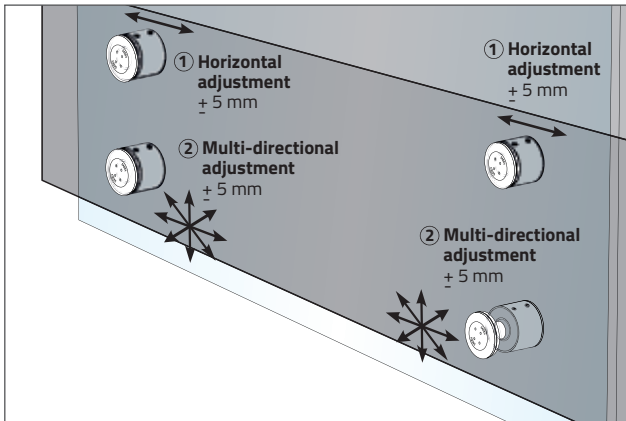
Ref. **000110**

KG
250

BEFORE LAYING THE GLASS



AFTER LAYING THE GLASS



TECHNICAL DATA

SPECIFICITY	Dual glass adjustment system
Diameter	50 mm
Heigh	40 mm
Weight	465 gr
Subject	Inox 304 & 316
Tightening the glass screw	Hardened monolithic = Mini 15 N.m Hardened laminated = 10 N.m
Type of glass	Laminated glass - tempered type 8/8, 10/10, 12/12 or 15/15 according to configuration
Screws	Socket head screw \varnothing 12. Dowel to be defined according to nature of the slab or support. Excluding SADEV supply.
Screws for glass	Cylindrical \varnothing 50
Glass dimension approved	Height 1 260 mm Lenght 1 000 to 1 400 mm
Glass thickness	From 12 to 31,52 mm

CERTIFICATIONS

Technical Advice with AGC n° 2/15-1670

Test report N° BEB1.9.4027-9

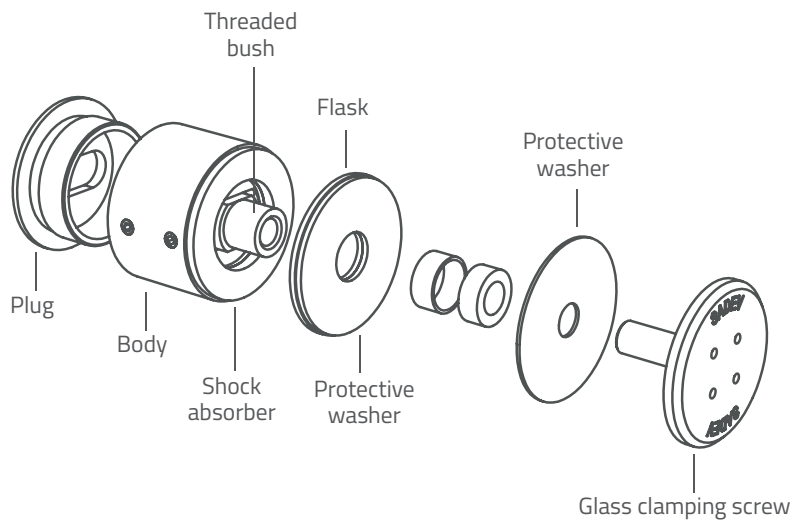
Test report N° BEB1.9.4027-15

Test report N° BEB1.9.4027-16

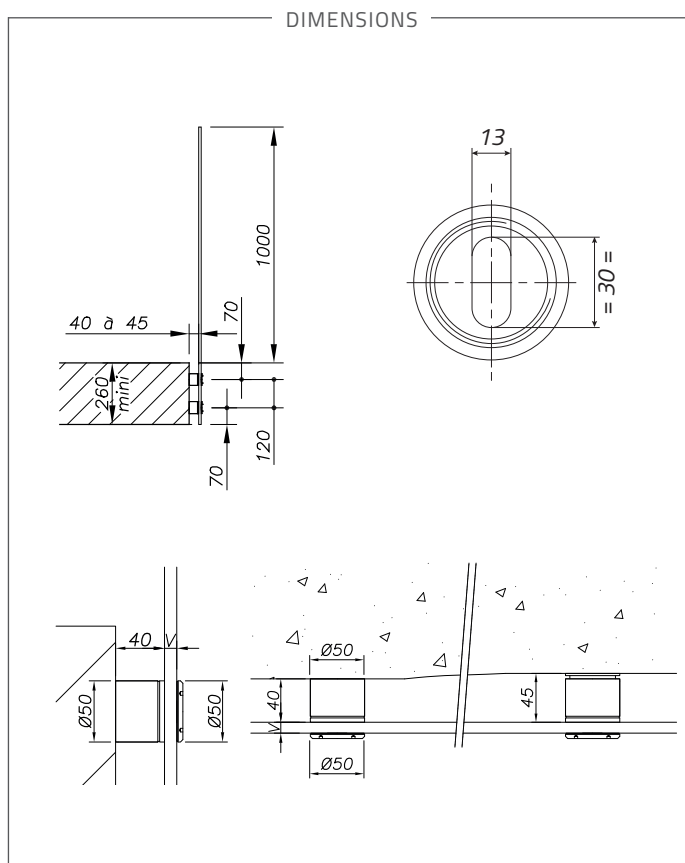
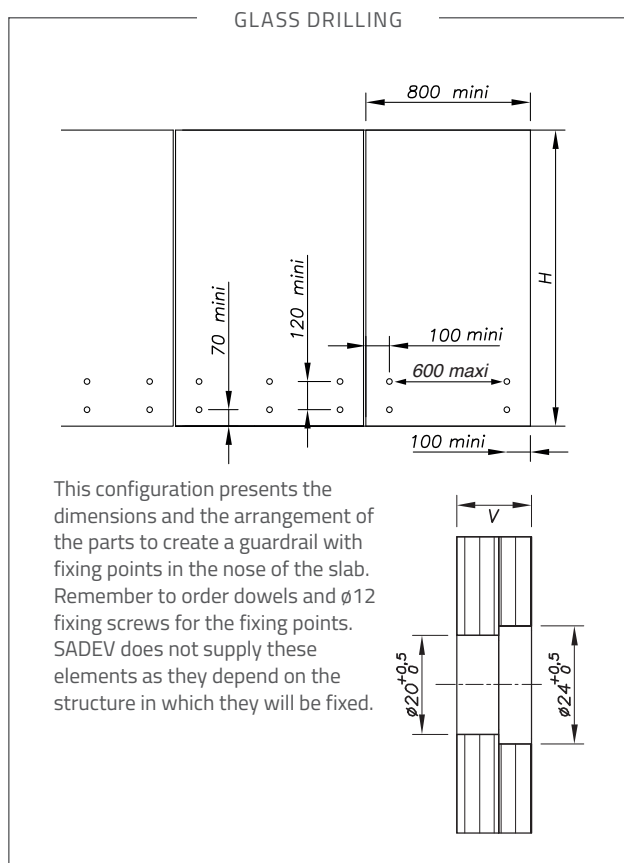


We Build the Invisible

Tel. +33(0) 4 50 08 39 00 | Fax. +33(0) 4 50 08 39 49
76, chemin des poses - 74330 Poisy (France)



TECHNICAL DRAWINGS



FINISHES

Sst brushed
Ref. 000110



Black
Ref. 000110N



Copper
Ref. 000110CU



Copper brushed
Ref. 000110CU-B



Champagne
Ref. 000110CH



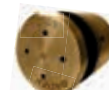
Champagne brushed
Ref. 000110CH-B



Gold
Ref. 000110OR



Gold brushed
Ref. 0001100-RB

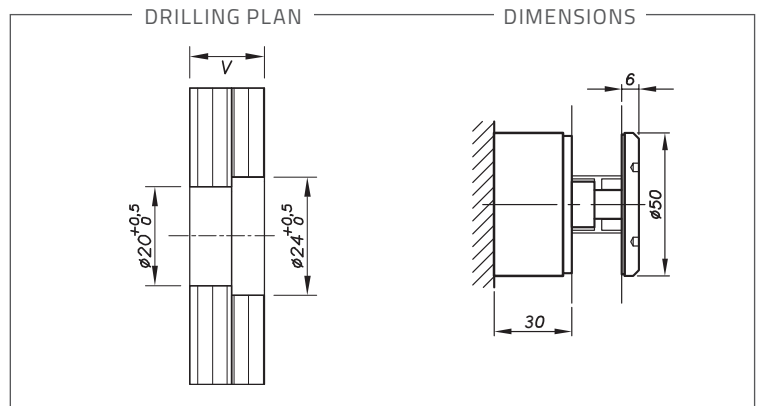




SLAB NOSE RAILING- Height 30 mm Ref. 000130

TECHNICAL DATA

SPECIFICITY	Without adjustment	
Diameter	50mm	
Height	30mm	
Reference	Material	Glass thickness
000130	Stainless steel 304	17.52 > 21.52 mm
000130A4	Stainless steel 316	22 > 25.52 mm



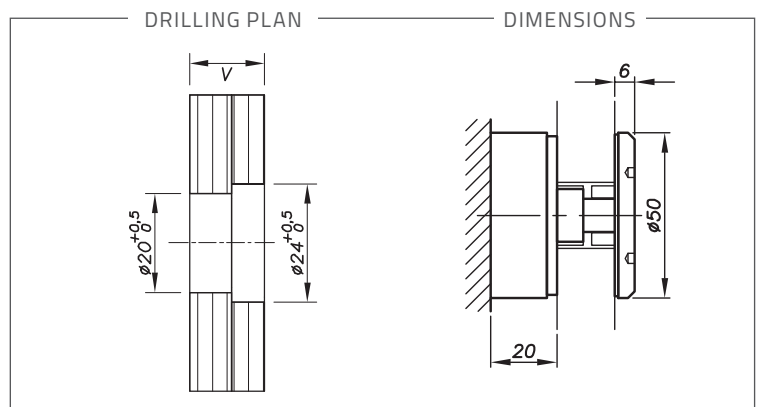
SLAB NOSE RAILING - Height 20 mm Ref. 000120



Black finish

TECHNICAL DATA

SPECIFICITY	Without adjustment	
Diameter	50mm	
Height	20mm	
Reference	Material	Glass thickness
000120	Stainless steel 304	17.52 > 21.52mm
000120-25	Stainless steel 304	22 > 25.52mm
000120N	Stainless steel 304 Black finish	17.52 > 21.52mm
000120A4	Stainless steel 316	17.52 > 21.52mm



We Build the Invisible

Tel. +33(0) 4 50 08 39 00 | Fax. +33(0) 4 50 08 39 49
76, chemin des poses - 74330 Poisy (France)

sadev.com
suivez-nous sur
f in t y

webuildtheinvisible.com
suivez-nous sur
f in @ y