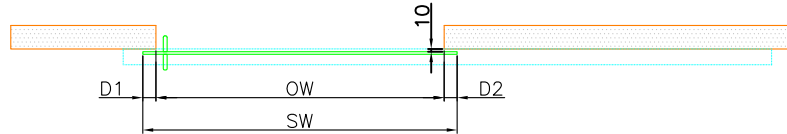
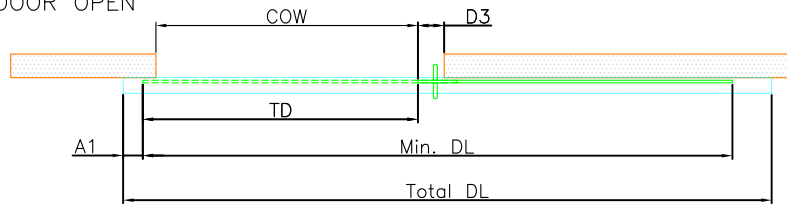


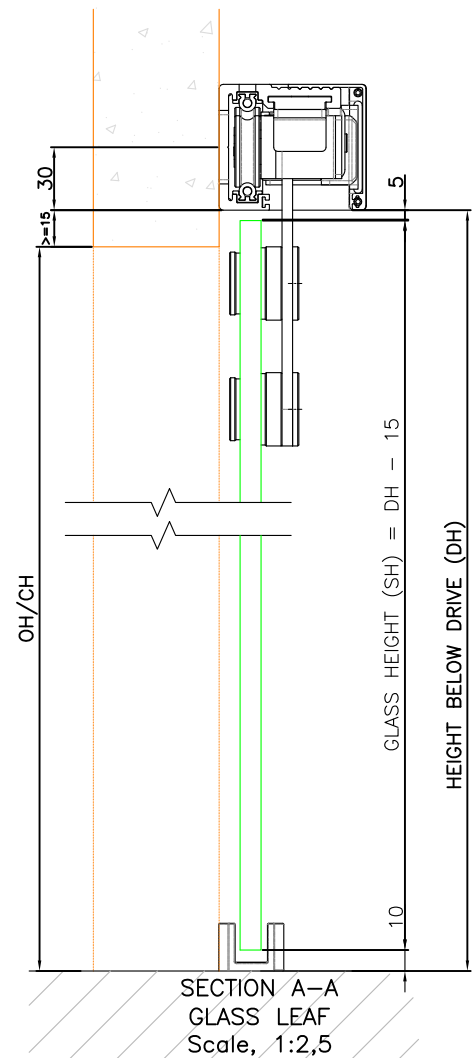
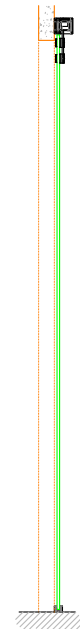
SECTION B-B
DOOR CLOSED



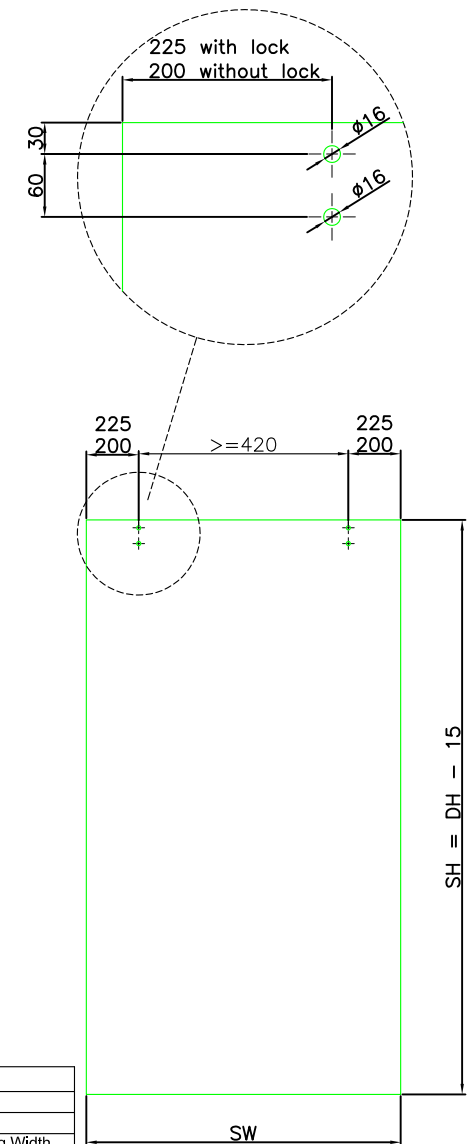
SECTION B-B
DOOR OPEN



SECTION A-A
GLASS LEAF



SECTION A-A
GLASS LEAF
Scale, 1:2,5



GLASS LEAF DETAIL

LEGEND	
Total DL	Total drive length
Minimum DL	Minimum drive length
OW/COW	Opening Width / Clear Opening Width
TD	Travelling distance
SW	Sliding door width
OH/CH	Opening height/Clear height
SH	Sliding door height
D1/D2	Overlap 1 / Overlap 2
A1/A2	Header extension 1 / Header extension 2
DH	Height below Drive

Drawing number: 83431007		Description: EvoDrive operator - Single sliding door with TWINS glass leaf adaptor		
Type of drawing: 0	Version: 000	Project: 000	Client: 0	To be checked <input type="checkbox"/> General tolerances as per EN-ISO 2768-mk Property of LInear Motor Applications, S.L. Reproduction without permission is forbidden
Material:	Finish:	Projected by: Oriol Guilera 09,01,2018	Drawn by: Noelia Serrano 09,01,2018	Verified by: Oriol Guilera 09,01,2018
				Scale: 1:20 A4

