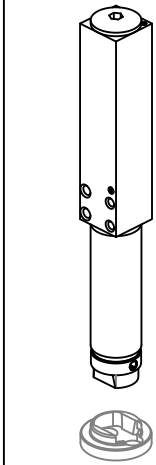
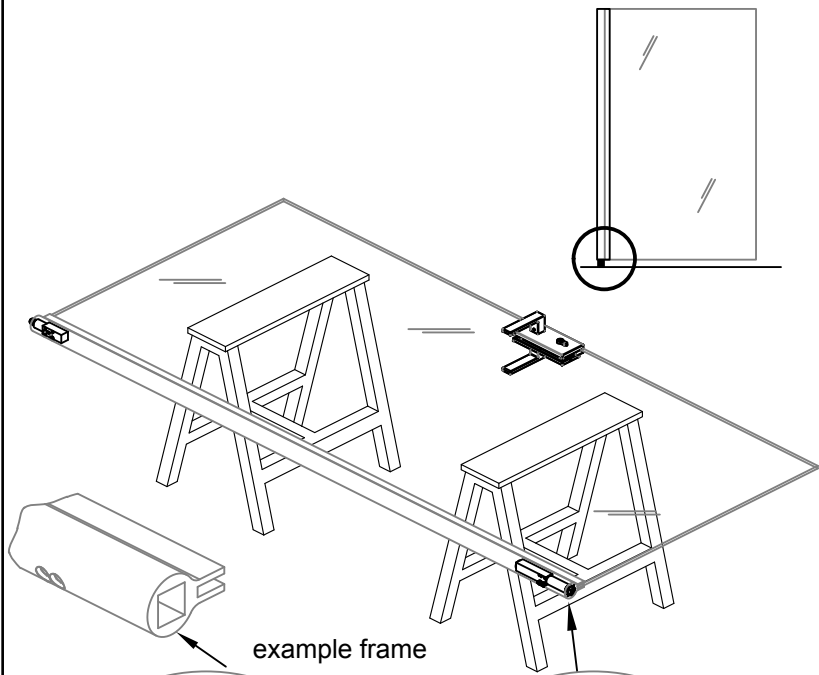


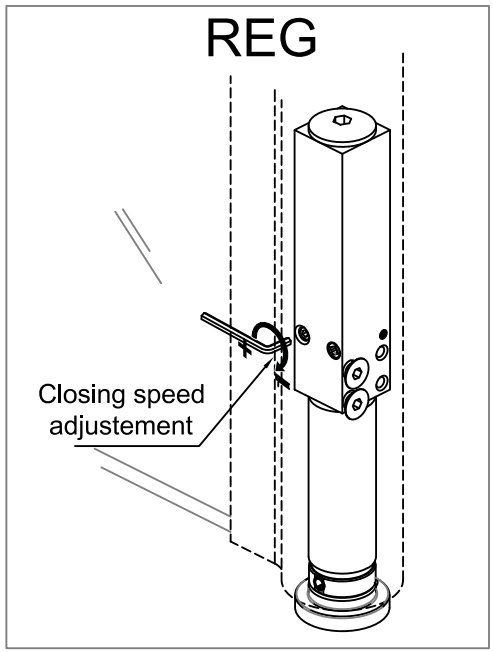
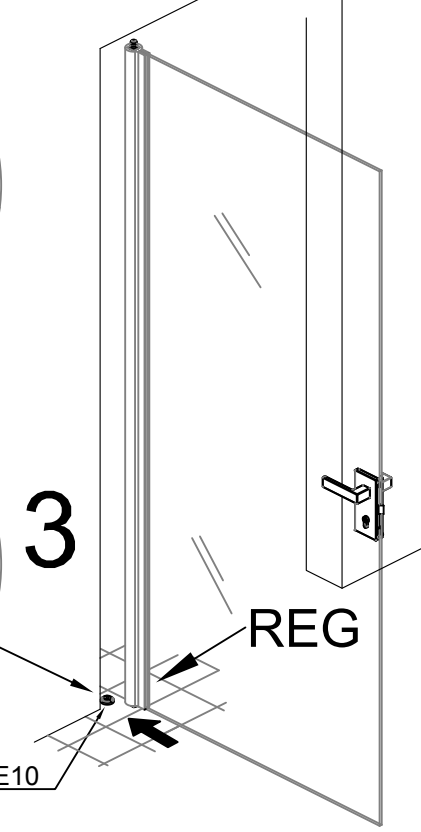
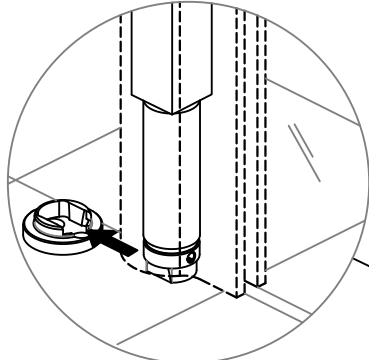
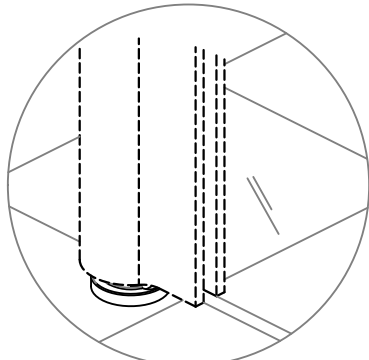
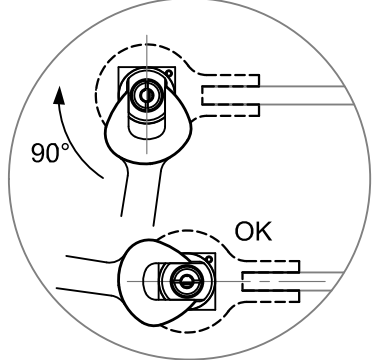
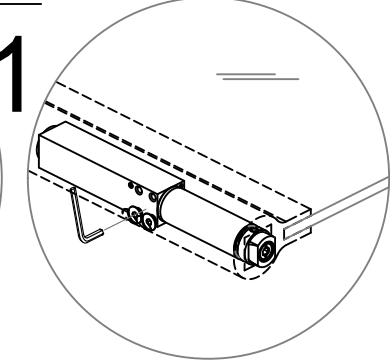
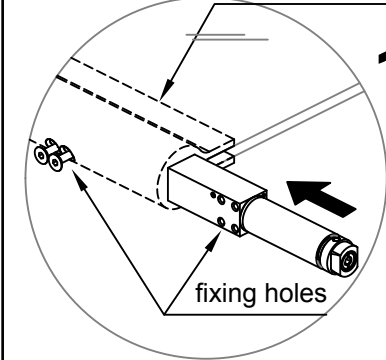
# 845E10

# VELA

# BOTTOM HINGE



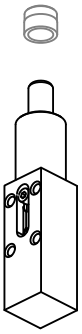
Tools supplied	Tools required
	ch 2,5 ch 4
	Not included BASE PLATE  A845E10



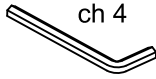
# 845E20

# VELA

# TOP HINGE



Tools required

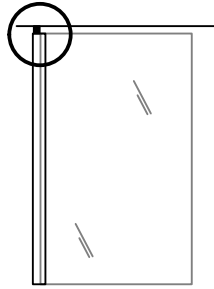


Not included

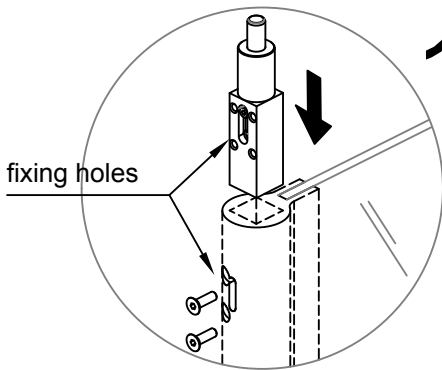
BEARING



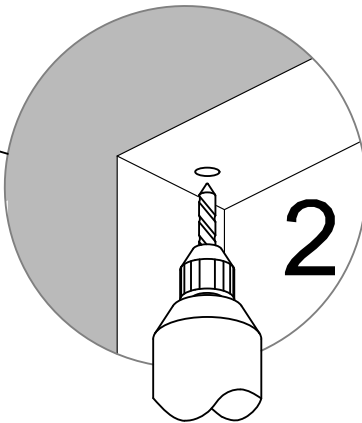
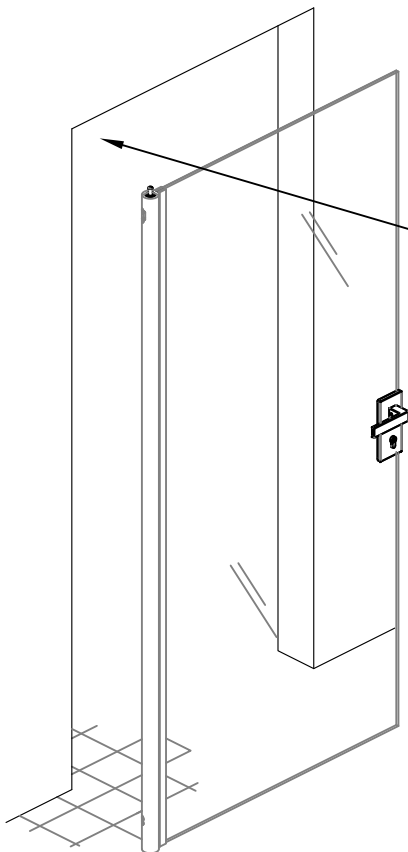
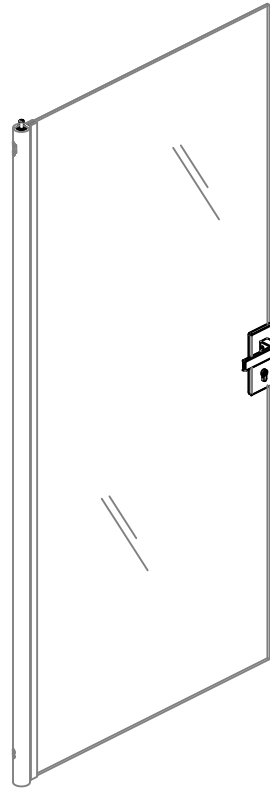
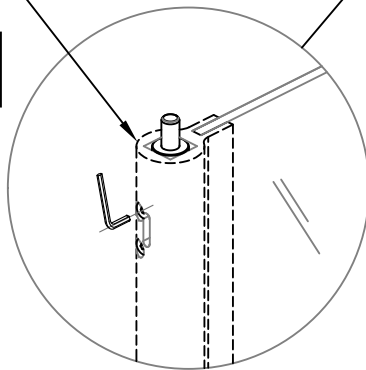
8DAUG32



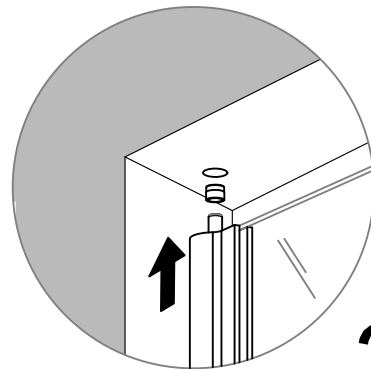
example frame



# 1



# 2



# 3

REG

