

# R 1008

Designation : swivel fitting, countersunk head, for installation from the outside

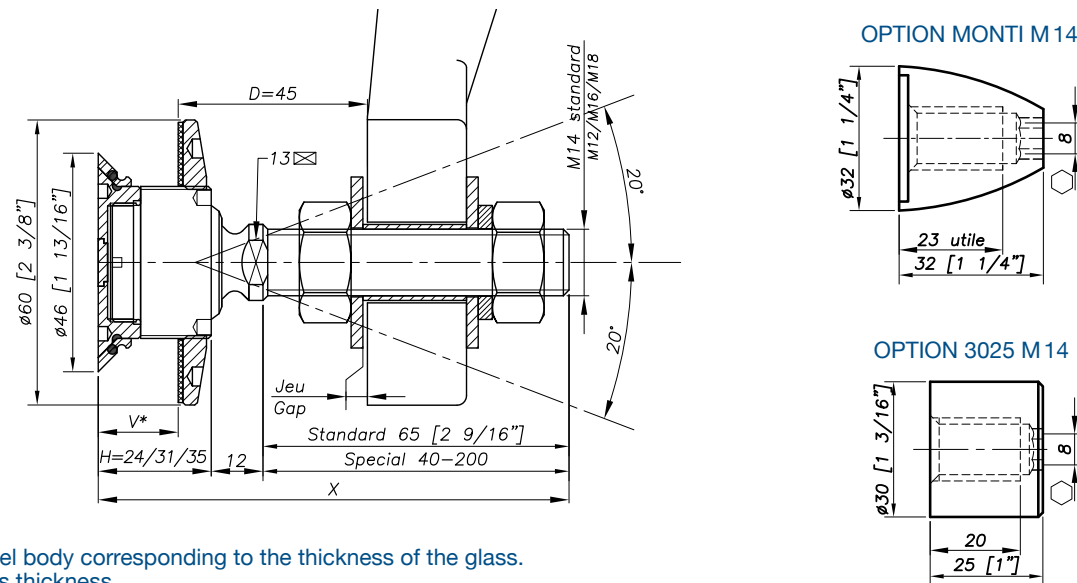


REFERENCE TO ORDER			
GLASS THICKNESS	Ø AXIS	LENGTH AXIS (mm)	ARTICLE CODE
8 ≤ V ≤ 15	M14	65	R1008-0815-1465*
15 < V ≤ 22	M14	65	R1008-1522-1465
22 < V ≤ 26	M14	65	R1008-2226-1465
SPECIAL	SPECIAL	SPECIAL	R1008-V-SP

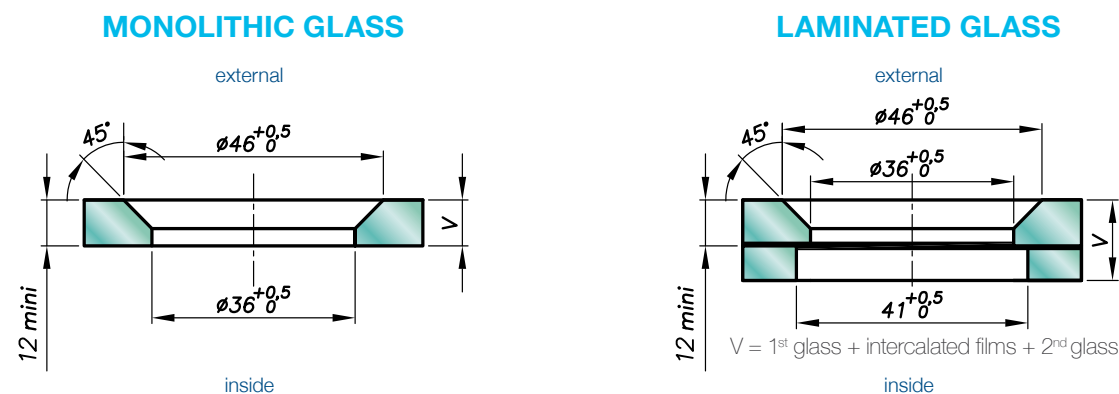
Patent No: 9806556  
 Technical assessment available online: [www.sadev.com](http://www.sadev.com)  
 Sealing strip between glazing available p.8.26

\* R1008-0815-1465 : Model - Glass thickness - Type axis and length.  
 Seismic swivel fitting optional

## Dimensions



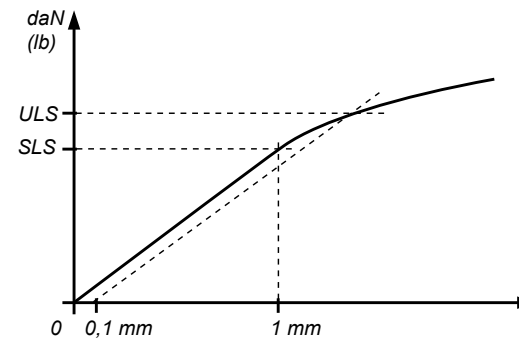
## Glass drilling



Available for glass thicknesses from 8 to 31.52 mm, for other thicknesses please consult us.

It is important to provide the following information with each request: the glass composition (ex.: 10 mm monolithic, 8.8.4 laminated, 8.8.2-12-10 insulating) / the length and diameter of the threaded axle if not standard dimensions (M14, 65 mm) / the reference of the spider to be used as support, or the thickness of an existing support for the delivery of the spacer.

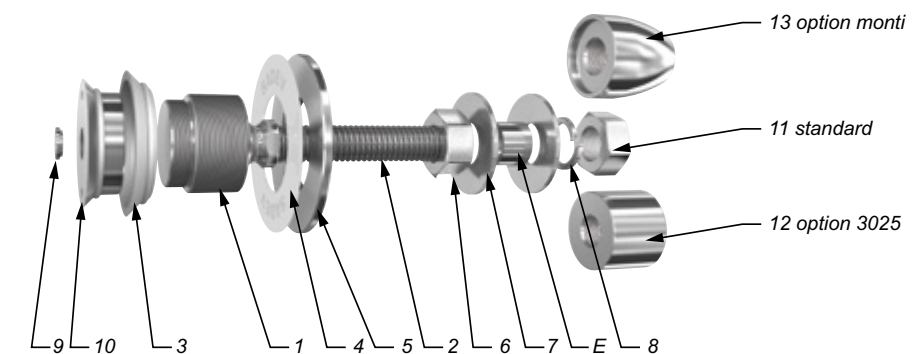
## Mechanical performance



	BENDING CAPACITY			PULL OUT CAPACITY
	D	SLS*	ULS*	ULS*
M 14	45mm	344 daN (773 lb)	577 daN (1297 lb)	2000 daN (4496 lb)
	60mm	153 daN (343 lb)	364 daN (818 lb)	
M16	45mm	504 daN (1133 lb)	827 daN (1859 lb)	
	60mm	253 daN (568 lb)	525 daN (1180 lb)	

\*SLS - Serviceability Limit State: load at 1mm deformation  
 \*ULS = Ultimate Limit State: load at the elastic limit (Rp0.1).  
 Values are given without factor of safety.  
 Tests available online: [www.sadev.com](http://www.sadev.com)

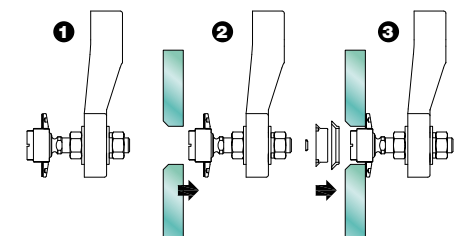
## Components



MARK	QUANTITY	DESIGNATION	MATERIAL
1	1	Swivel body	X2 Cr Ni Mo 17.12.2 as per EN 10088-3
2	1	Threaded Axle	X4 Cr Ni Mo 16.5.1 as per EN 10088-3
3	1	Glass hole grommet	AW-1050A as per EN 573-3/AI 99.5%
4	1	Contact washer	White polyacetyl / white polyethylene
5	1	Glass nut Ø60	X2 Cr Ni Mo 17.12.2 as per EN 10088-3
6	1	Nut DIN 934	A4
7	2	Washer	A4
8	1	Lock washer DIN127	A4
9	1	Cover cap	X5 Cr Ni Mo 17.12.2 as per EN 10088-3
10	1	Countersunk bush	X5 Cr Ni Mo 17.12.2 as per EN 10088-3
11	1	Nut DIN 934	A4
12	1	3025 Cap nut - Option	X2 Cr Ni Mo 17.12.2 as per EN 10088-3
13	1	Monti cap nut - Option	X2 Cr Ni Mo 17.12.2 as per EN 10088-3

## Suggested mounting instruction

Mount nut N°6 and washer N°7 onto parts N°1/2.  
 Insert the threaded axle into the support with spacer E (available on request), see technical page. Adjust the depth. Mount washer N°7, lock washer N°8 and nut N°11. Tighten to 60Nm (45 ft-lb) using a 22 mm wrench. Apply contact washer N°4 and glass nut N°5 onto parts N°1/2. Adjust to desired position. Mount the glass onto the assembly.  
 Thread on the countersunk bush N°10 with grommet N°3 onto parts N°1/2. Tighten to 20Nm (15 ft-lb) for monolithic glass and 10Nm (7.5 ft-lb) for laminated glass using SADEV catalog ref. 097581160 and ref. CLE-DYN-072031. The swivel fitting is maintained with a flat screw driver while fixing part N°10. Glue in the cover cap N°9 into the countersunk bush N°10 using silicone.



SADEV recommends using thread locking compound whenever possible.