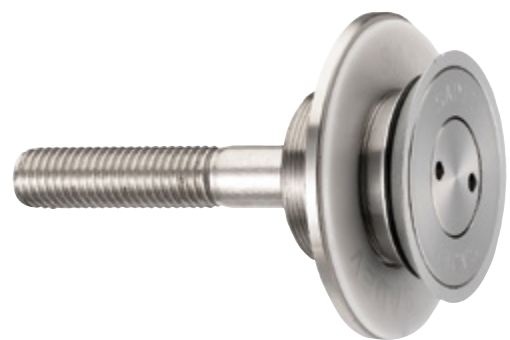


# V 2002

Designation : fixed bolt, countersunk head, for installation from the outside

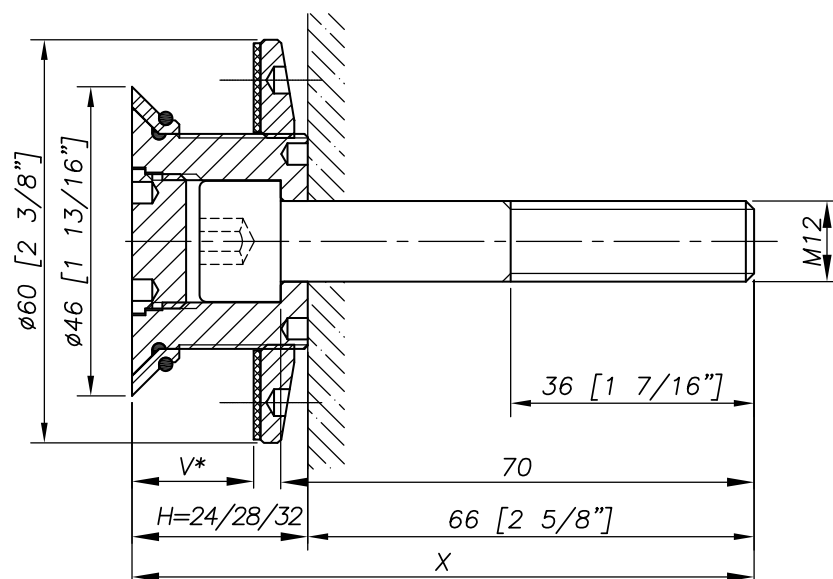


| REFERENCE TO ORDER |         |                  |              |
|--------------------|---------|------------------|--------------|
| GLASS THICKNESS    | Ø AXIS  | LENGTH AXIS (MM) | ARTICLE CODE |
| 8 ≤ V ≤ 15         | M12     | 66               | V2002-0815   |
| 15 < V ≤ 22        | M12     | 66               | V2002-1522   |
| 22 < V ≤ 26        | M12     | 66               | V2002-2226   |
| Special            | Special | Special          | V2002-V-SP   |

Sealing strip between glazing available p.8.26

\* V2002-0815 : Model - Glass Thickness

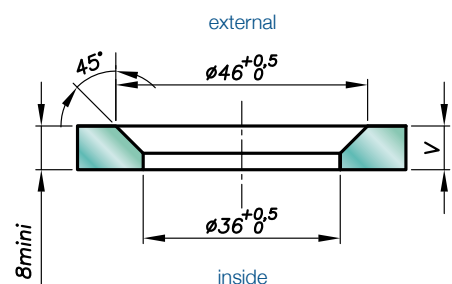
## Dimensions



H= Swivel body corresponding to the thickness of the glass.  
V\* = glass thickness.

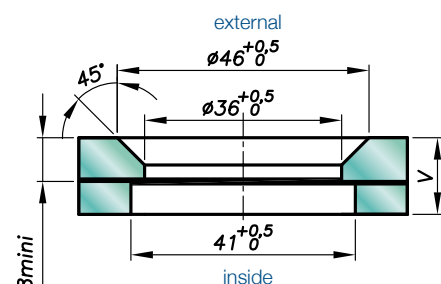
## Glass drilling

### MONOLITHIC GLASS



### LAMINATED GLASS

V = 1<sup>st</sup> glass + intercalated films + 2<sup>nd</sup> glass



Available for glass thicknesses from 8 to 31.52mm, for other thicknesses please consult us.

It is important to provide the following information with each request: the glass composition (ex.: 10mm monolithic, 8.8.4 laminated, 8.8.2-12-10 insulating) / the length and diameter of the threaded axle if not standard dimensions (M14, 65mm) / the reference of the spider to be used as support, or the thickness of an existing support for the delivery of the spacer.

V 2002

## Mechanical performances

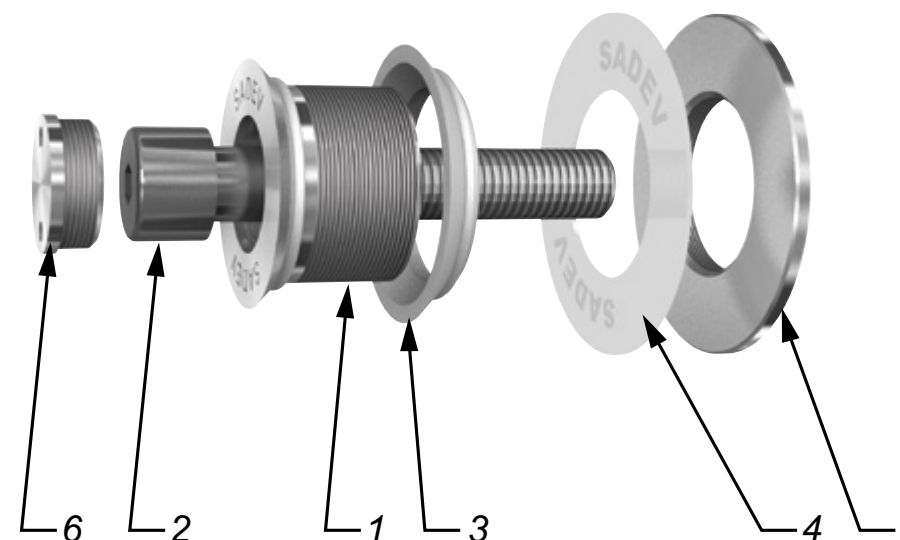


| M12 | SHEAR STRENGTH      | PULL OUT CAPACITY  |
|-----|---------------------|--------------------|
|     | ULS*                | ULS*               |
|     | 4342 daN* (9761 lb) | 3709 daN (8338 lb) |



\*ULS - Ultimate Limit State : load at the elastic limit (Rp0.1)  
Values are given without factor of safety  
Tests available online: www.sadev.com  
\*daN: Tensile strength calculation according to EN 1993-1-8 and shear strength calculation according to EN 1993-1-4

## Components



| MARK | QUANTITY | DESIGNATION        | MATERIAL                              |
|------|----------|--------------------|---------------------------------------|
| 1    | 1        | Body               | X2 Cr Ni Mo 17.12.2 as per EN 10088-3 |
| 2    | 1        | Bolt DIN912 M12-70 | A4                                    |
| 3    | 1        | Glass hole grommet | AW-1050A as per EN 573-3 / Al 99.5%   |
| 4    | 1        | Contact washer     | White polyacetyl / white polyethylene |
| 5    | 1        | Glass nut Ø 60     | X2 Cr Ni Mo 17.12.2 as per EN 10088-3 |
| 6    | 1        | Cover cap          | X2 Cr Ni Mo 17.12.2 as per EN 10088-3 |

## Suggested mounting instruction

Insert parts No.1 and 3 into the glass hole.

Mount contact washer No.4 and glass nut No.5 and tighten to 20Nm (15 ft-lb) for monolithic glass and 10Nm (7.5 ft-lb) for laminated glass using SADEV tools ref. 097581160 and ref. CLE-DYN-072031.

Mount into the support with bolt No.2, tighten in function of the support with a 10mm hex key.

Mount cover cap No.6 using SADEV tool ref. 758-11-60.

SADEV recommends using thread locking compound whenever possible.