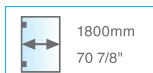
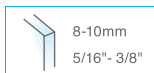


BZ07



• Kit Hip-zac per box doccia con 1 spalla in vetro da 1200 a 1800mm. Sezione tonda.

• Kit Hip-zac para box ducha: un lado en vidrio desde 1200 a 1800mm. Sección redonda.

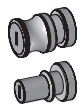
• Hip Zac kit with 1 fixed glass panel 1200-1800mm. Round section.

• Schiebetürsystem Hip Zac mit 1 starren Glasplatte 1200-1800mm. Rundschnitt.

• Kit Hip-zac pour cabine de douche avec 1 retour en verre de 1200 à 1800mm. Section ronde

HIP-ZAC system

BZ07K composto da / composed of



2 x BZ10



1 x BZ51



1 x BZ60



1 x BZ30



1 x BZ90



2 x BZ70



1 x BZ80

+

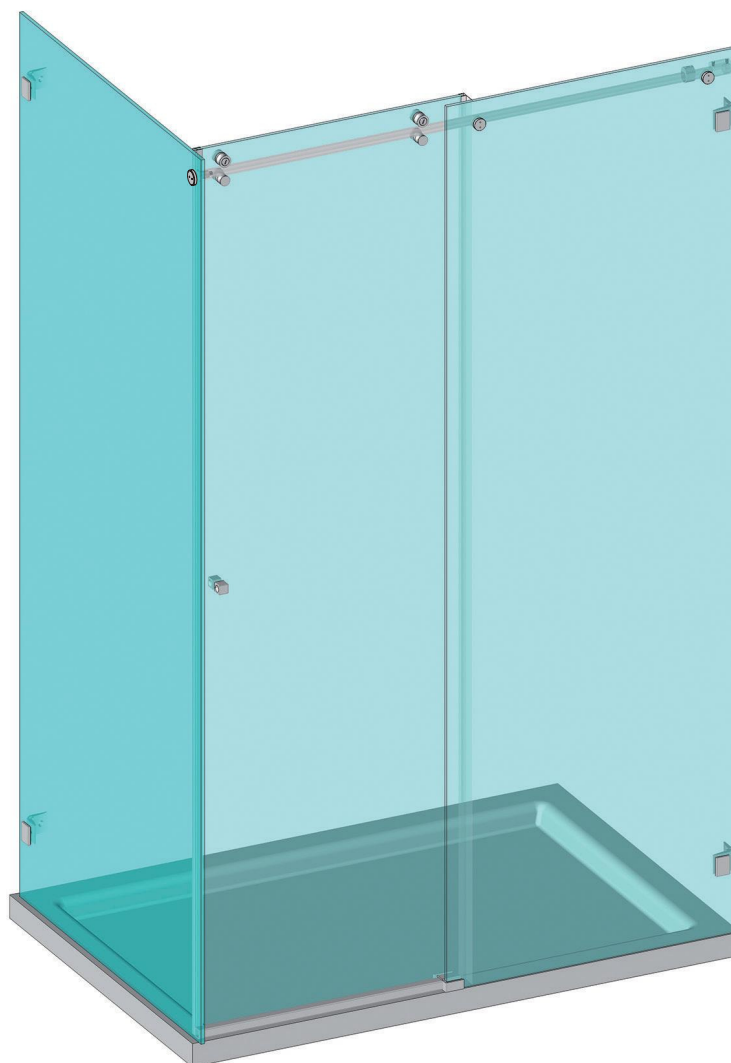
BZ0K43 composto da / composed of



1 x BZ58



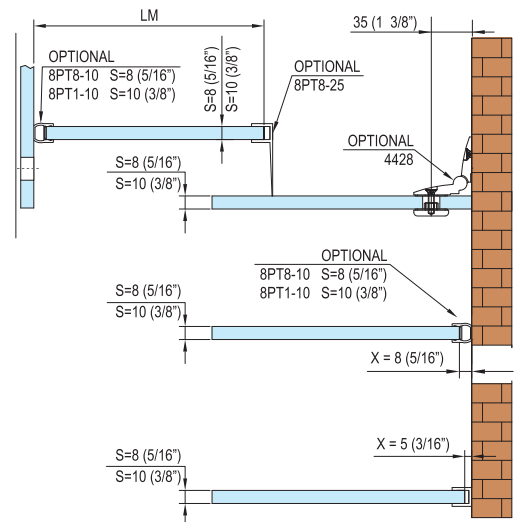
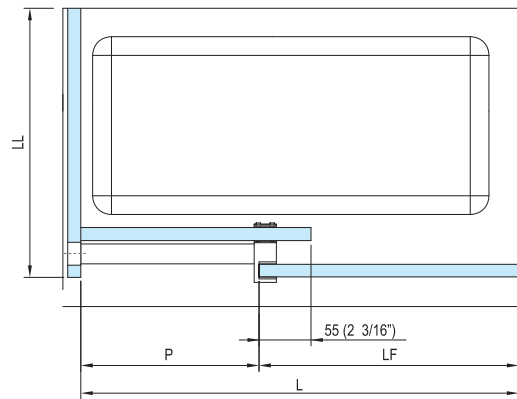
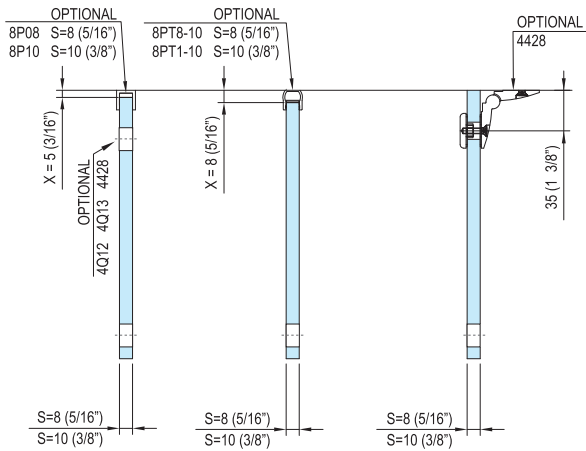
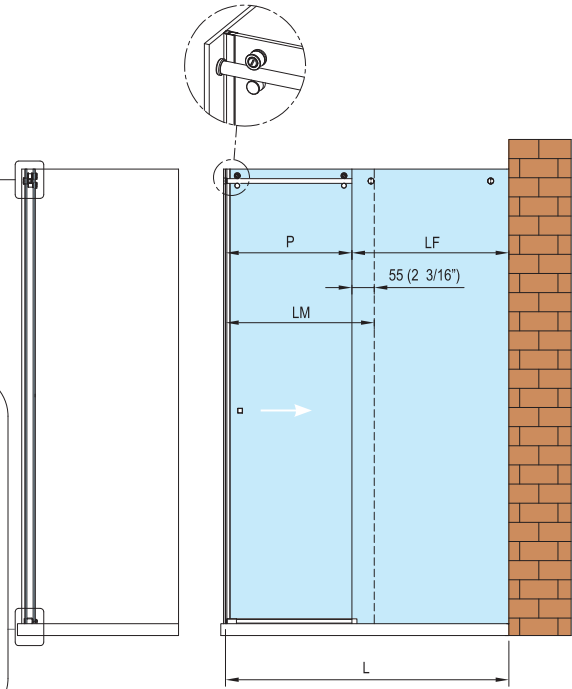
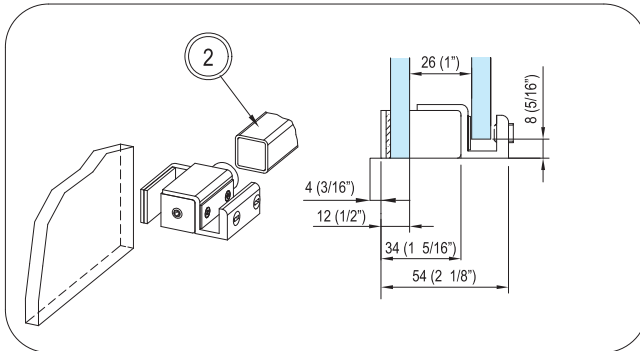
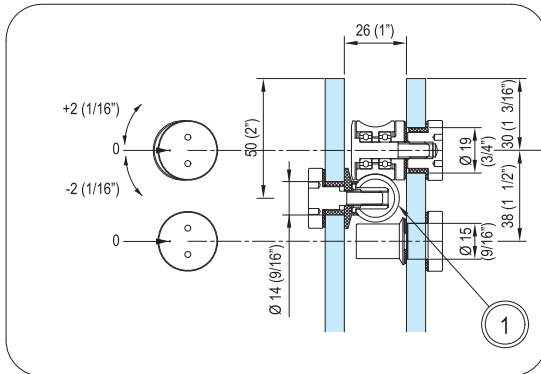
1 x BZ43



BZ07

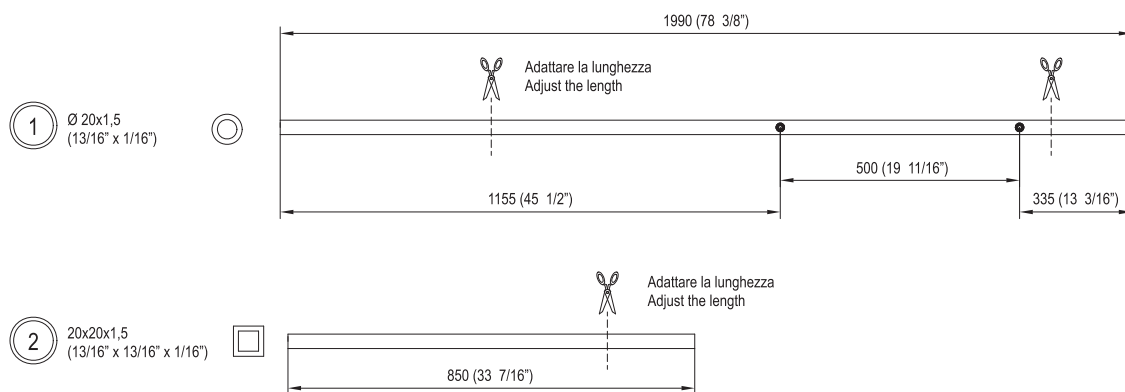
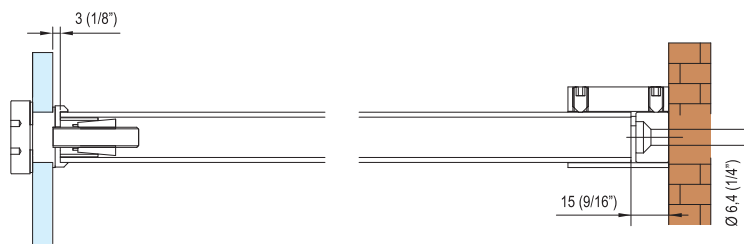
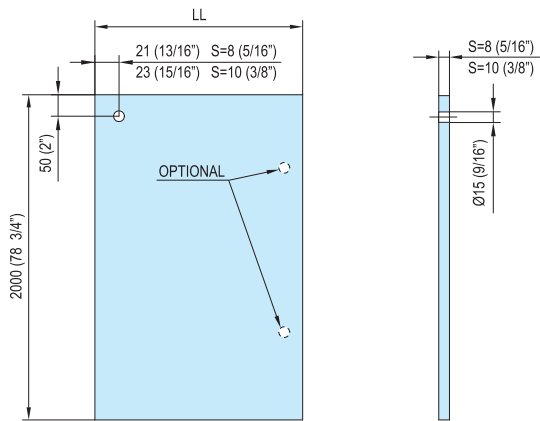
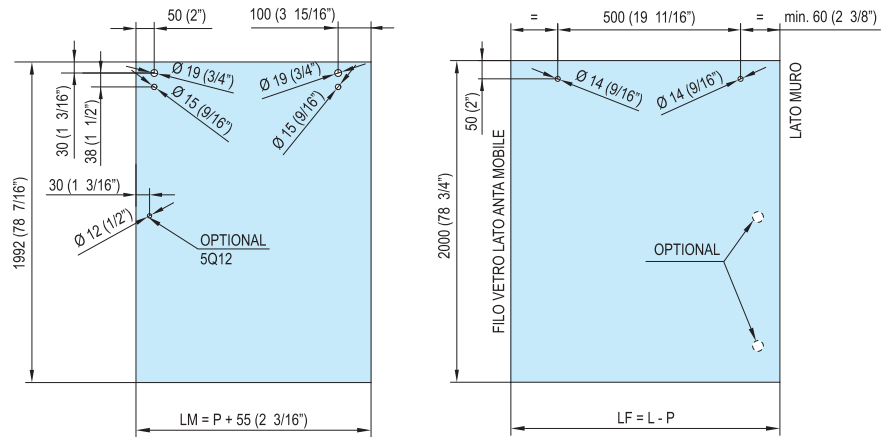
HIP-ZAC system

DATI (Data)	L = min 1200 ÷ max 1800	(mm)
DEFINIRE (Define)	P = min 450 ÷ max (L/2-55)	(mm)
CALCOLARE (Calculate)	LM = (P+55)	(mm)
CALCOLARE (Calculate)	LF = (L-P)	(mm)
DEFINIRE (Define)	LL	(mm)



BZ07

HIP-ZAC system



1 $\varnothing 20 \times 1,5$
(13/16" x 1/16")

2 20x20x1,5
(13/16" x 13/16" x 1/16")