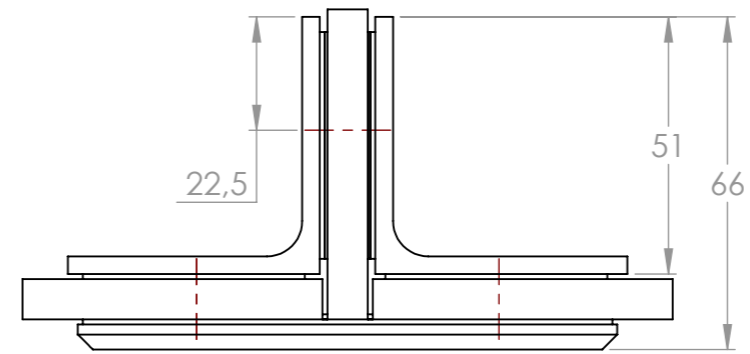
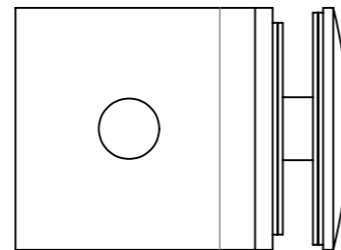
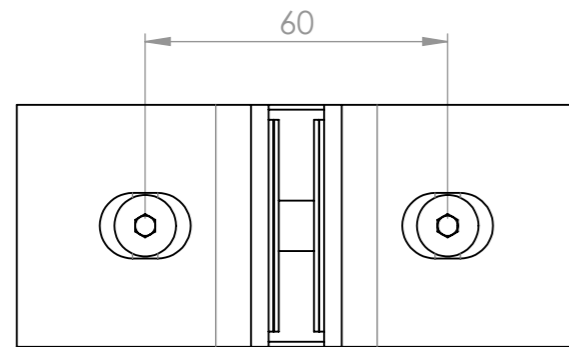
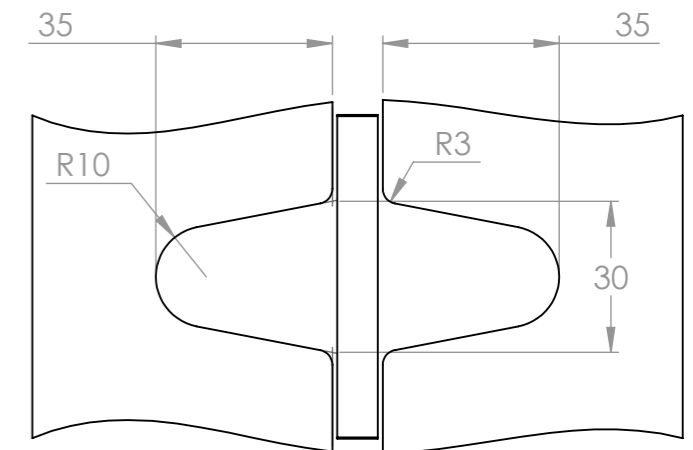
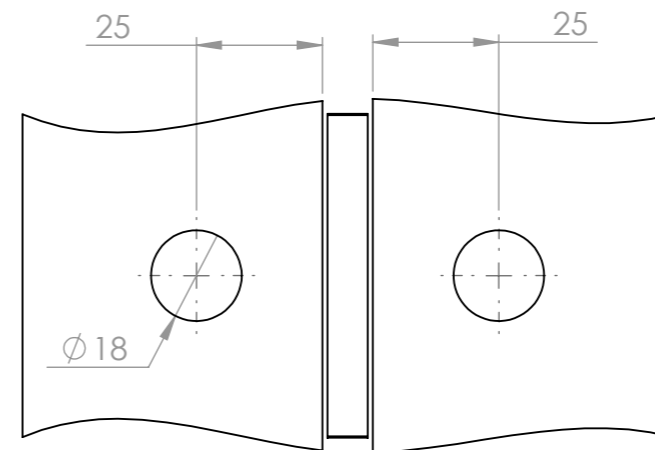
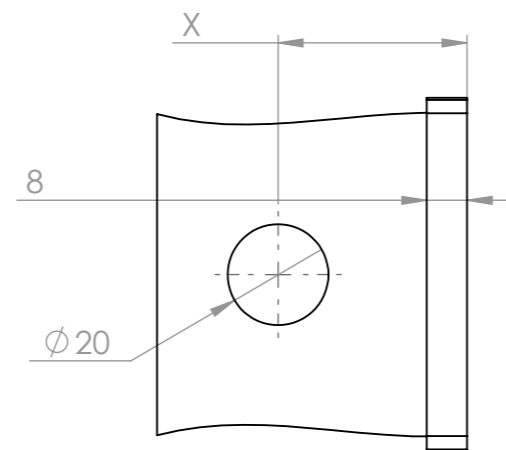
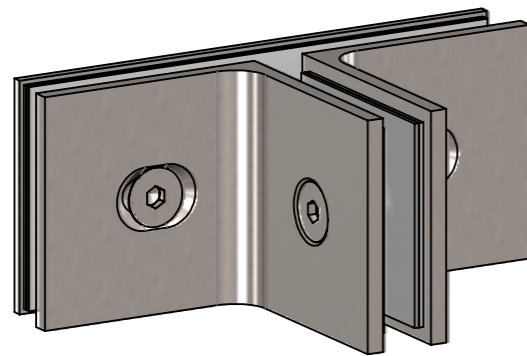


Minusco Basics

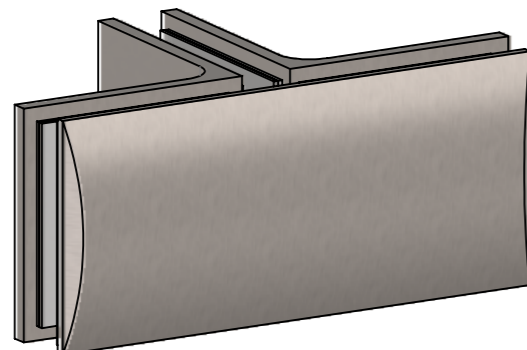


Glasdikte	Maat X Minimaal	Sparing
8	38	A
10	40	B
12	42	B



Sparing A

Sparing B



UNLESS OTHERWISE SPECIFIED: DIMENSIONS ARE IN MILLIMETERS GENERAL ROUGHNESS: TOLERANCES: - LINEAR: ± 0.5 mm - ANGULAR:				TREATMENT/FINISH: -		DEBUR AND BREAK SHARP EDGES		DO NOT SCALE DRAWING		REVISION -	
DRAWN L. Spruyt				SIGNATURE		DATE 17-6-2013		STOCKSIZE:		REMARKS:	
CHK'D				SIGNATURE		DATE		STOCKSIZE:		TITLE: Glass T-Connector 90°	
APPV'D				SIGNATURE		DATE		STOCKSIZE:		DWG NO. EF0201.070.xx	
				UNITS: MM		MATERIAL:		WEIGHT: 1683.01 gram		SCALE: 2:3	
						AMERIKAANSE PROJECTIE		SHEET 1 OF 1		A3	