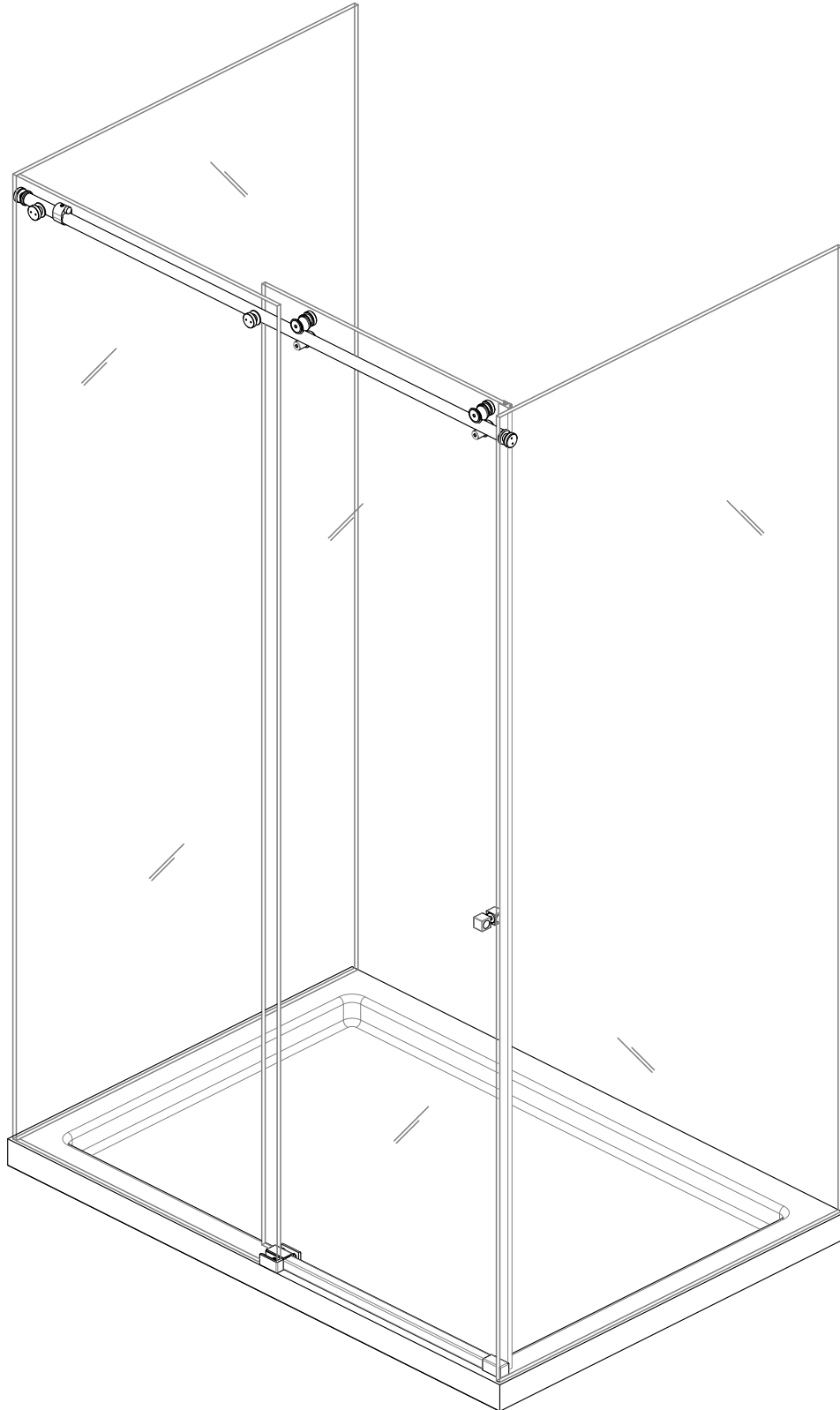

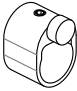
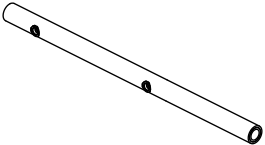
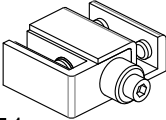
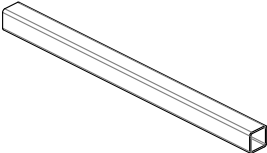
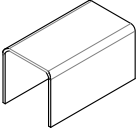

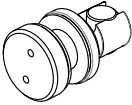
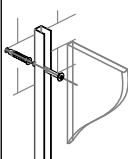
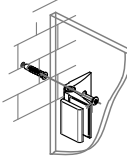



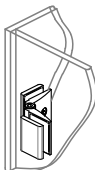


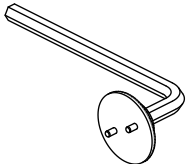
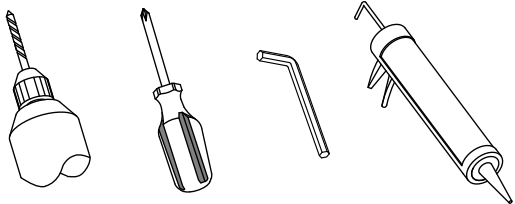

BZ06
KIT WITH 2 FIXED GLASS PANELS
1200-1800mm - ROUND SECTION

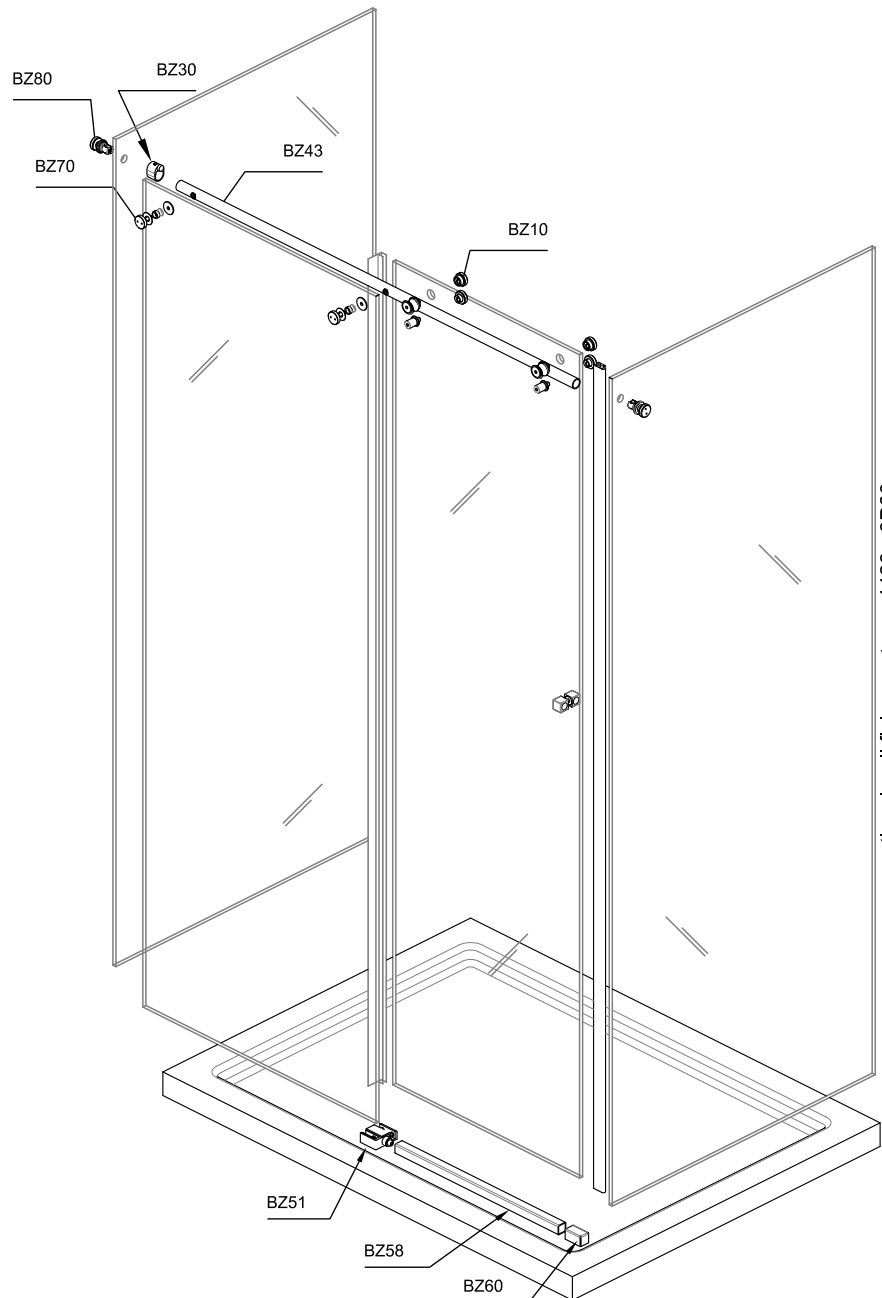


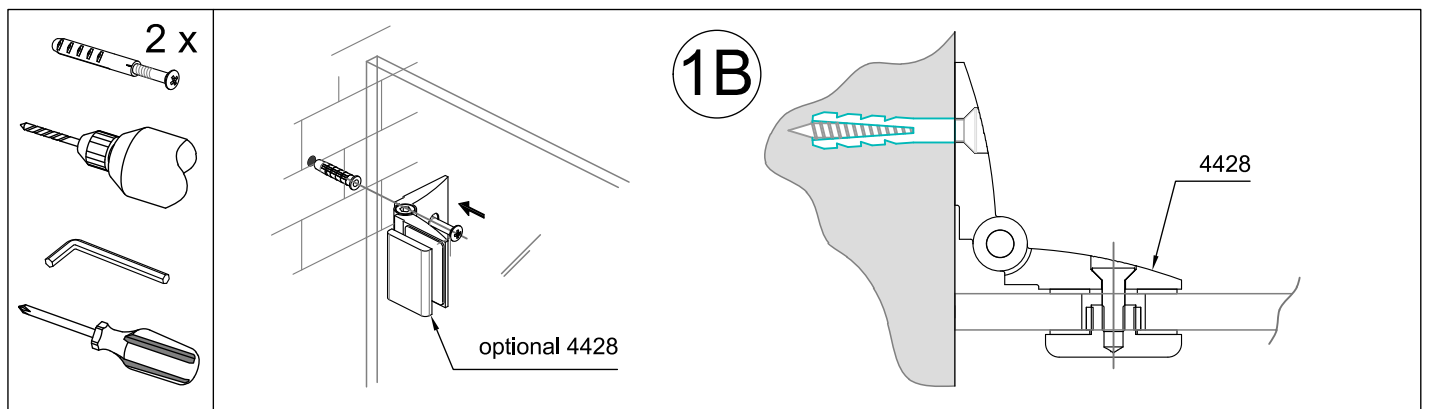
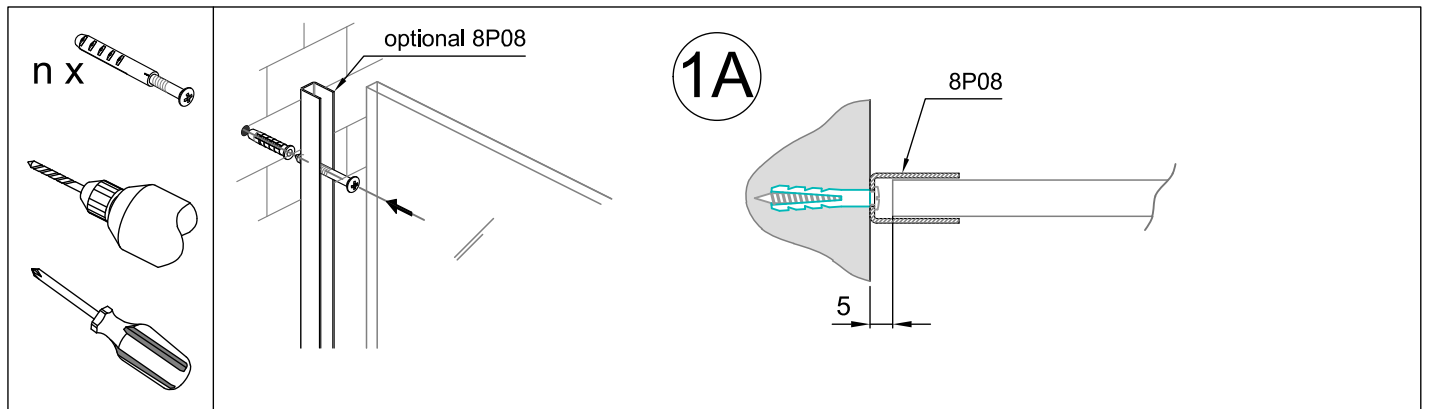
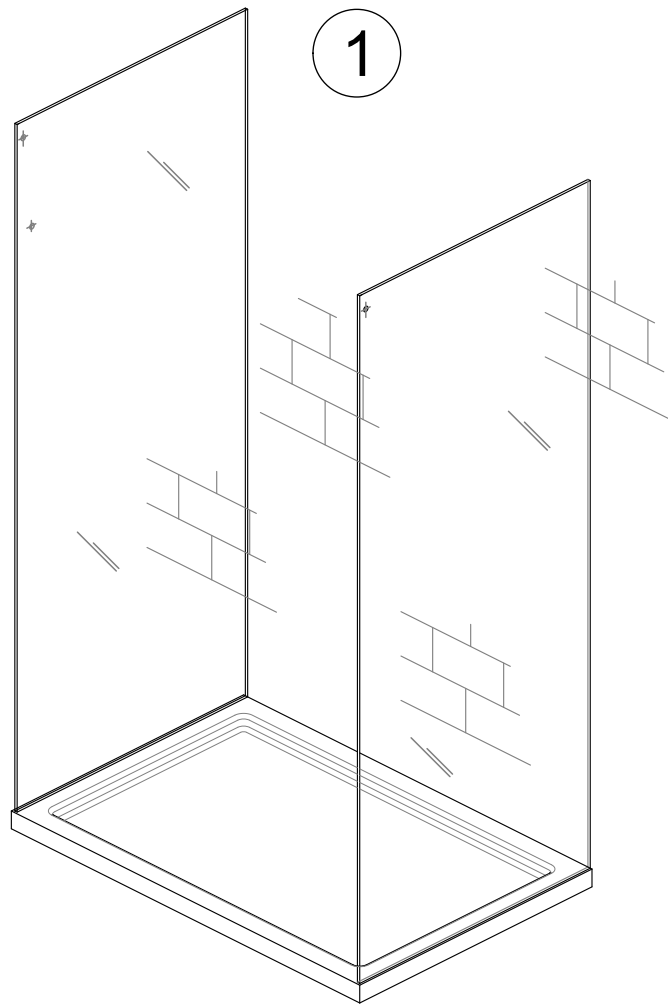
Installation instructions

Packing List	
	BZ10 2 X
	BZ30 1 X
	BZ43 1 X
	BZ51 1 X
	BZ58 1 X
	BZ60 1 X
	BZ70 2 X
	BZ80 2 X

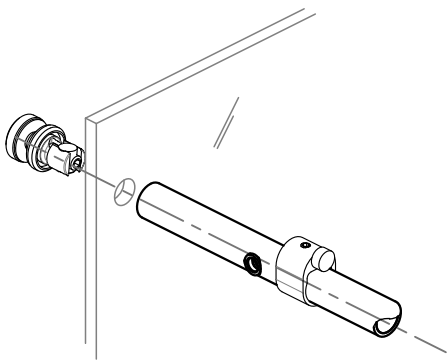
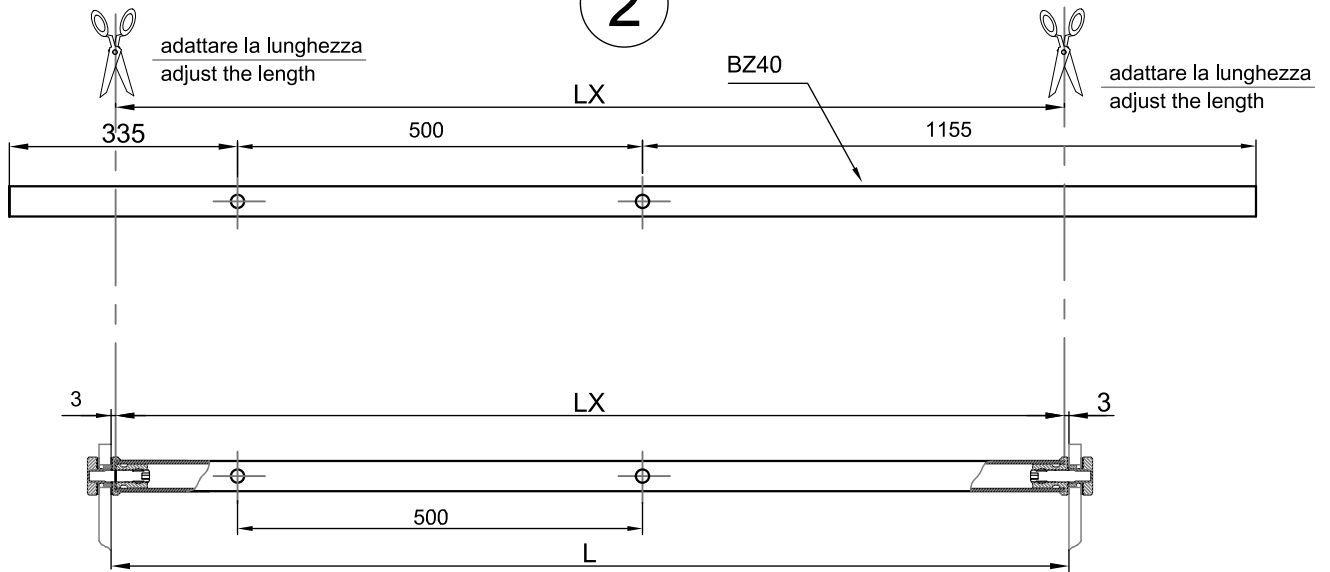
Optionals parts					
					
8P08	4428	5Q12	8PT160-61	8PT8-25	4429

Tools supplied	Tools required	Fittings required
 CH-NEUS		 n x

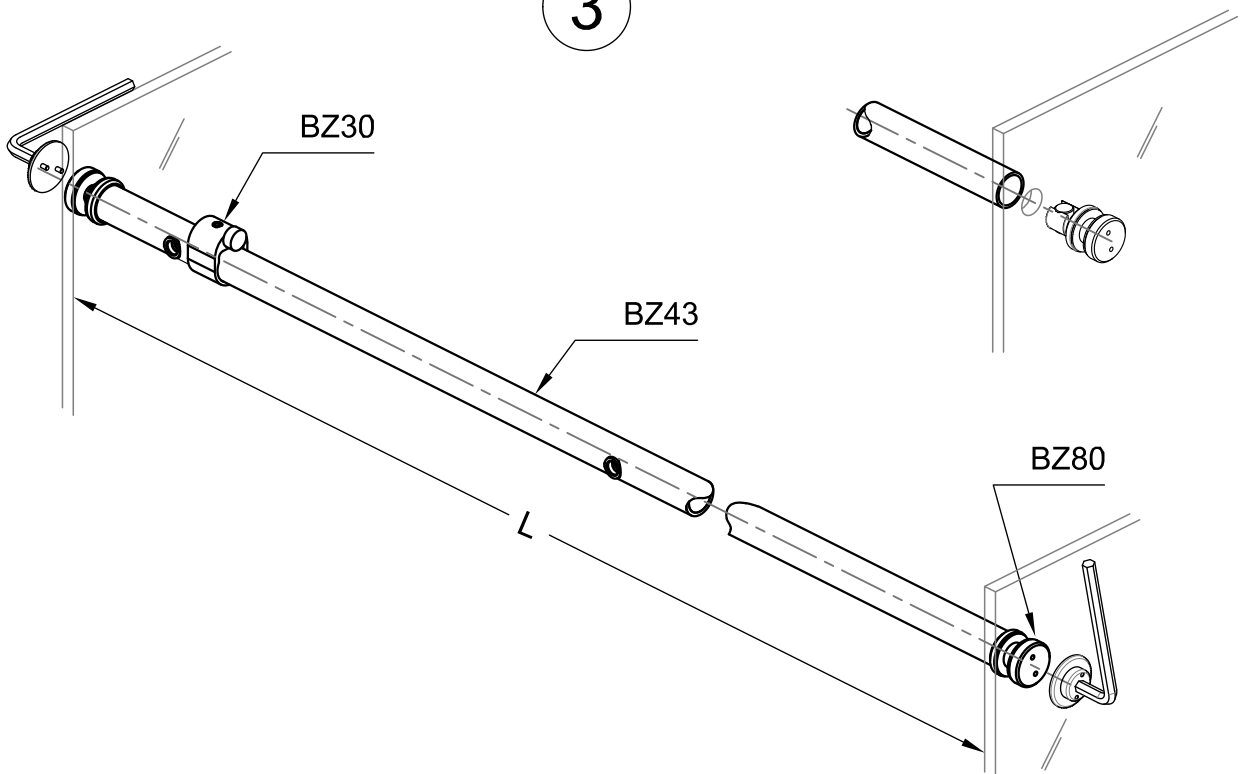




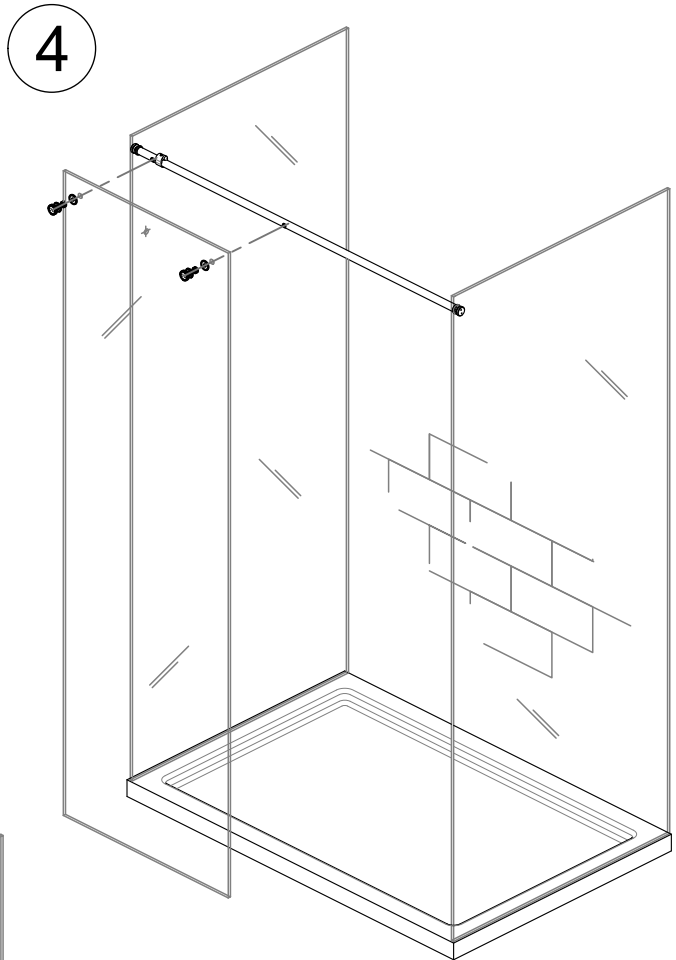
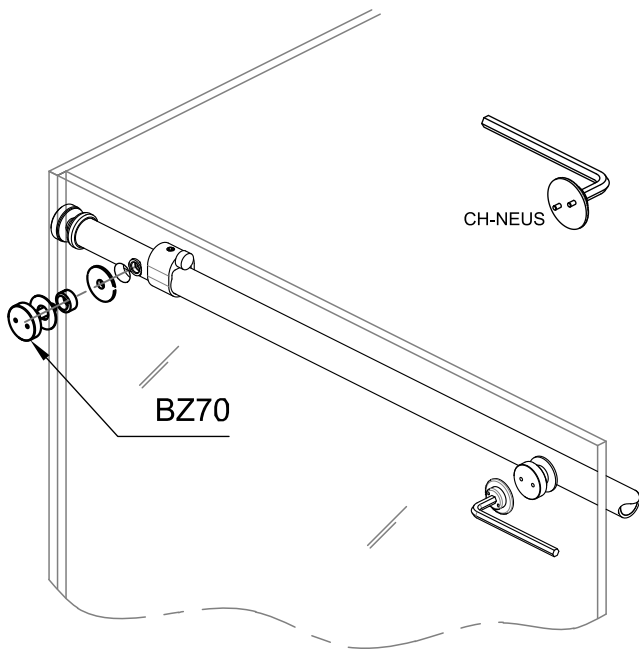
2



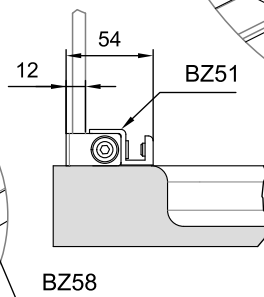
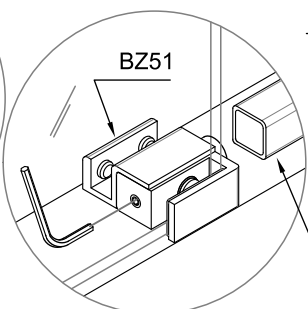
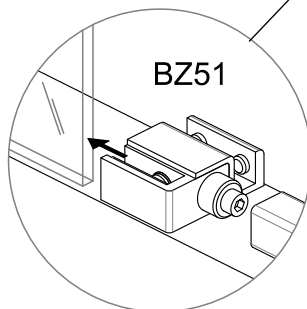
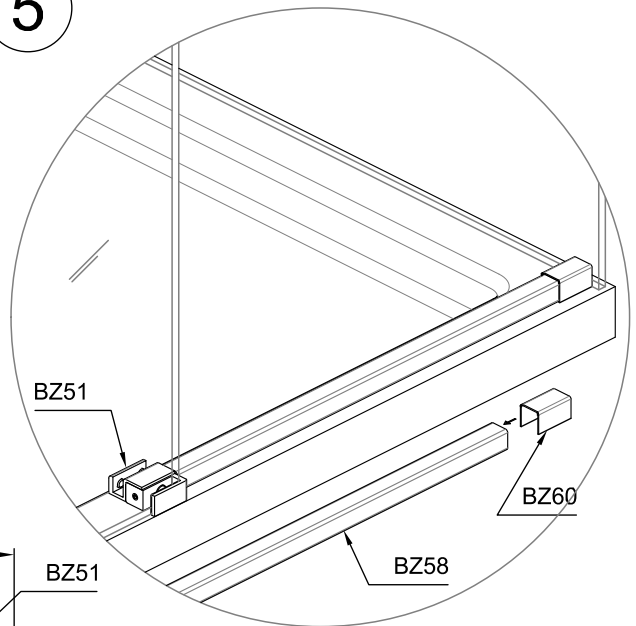
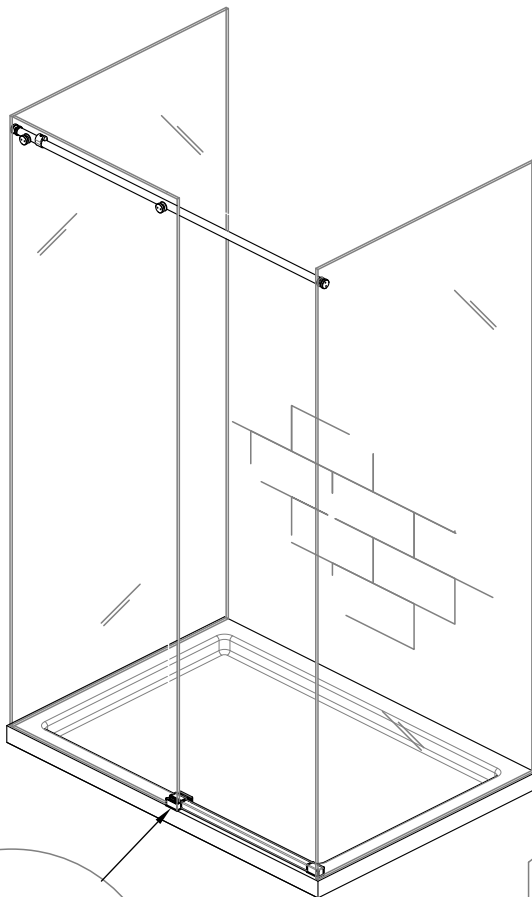
3

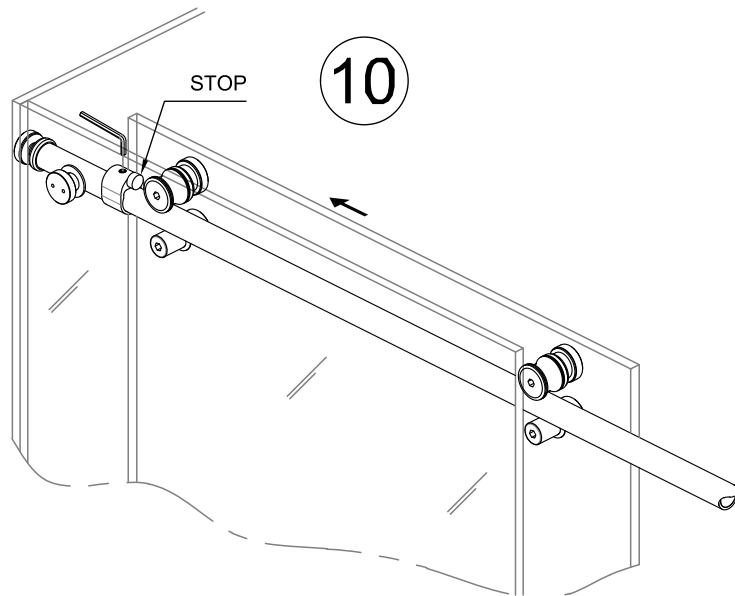
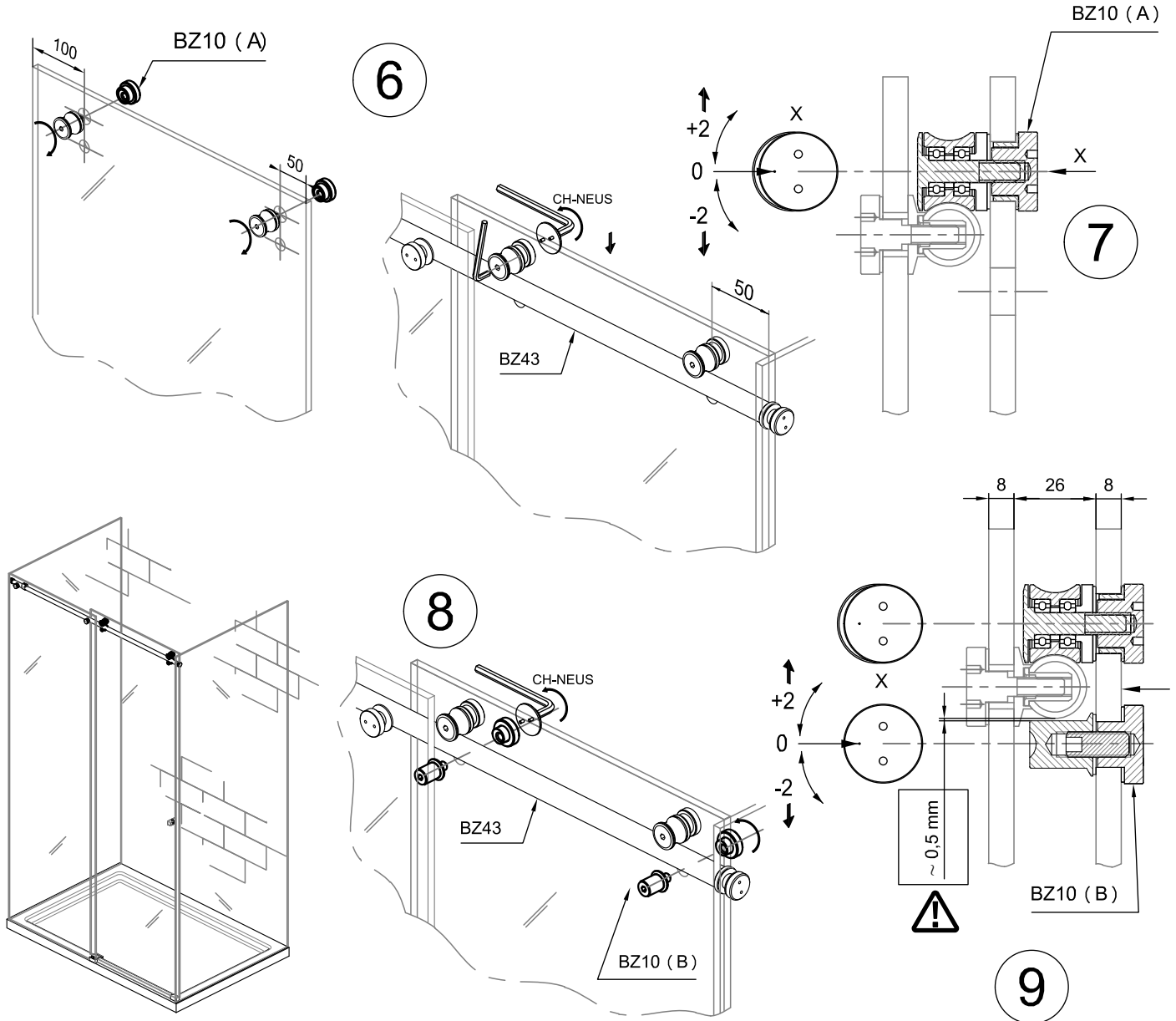


4



5





11

