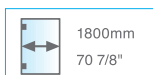
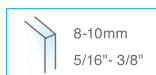


BZ03



• Kit Hip-zac per box doccia in nicchia da 1200 a 1800mm. Sezione tonda.

• Kit Hip-zac para box ducha de nicho desde 1200 a 1800mm. Sección redonda.

• Hip Zac niche kit 1200-1800mm. Round section.

• Schiebetürsystem Hip Zac für Nische 1200-1800mm. Rundschnitt.

• Kit Hip-zac pour cabine de douche en niche de 1200 à 1800mm. Section ronde.

HIP-ZAC system

BZ03K composto da / composed of



2 x BZ10



1 x BZ51



2 x BZ90



1 x BZ60



1 x BZ30



2 x BZ70

+

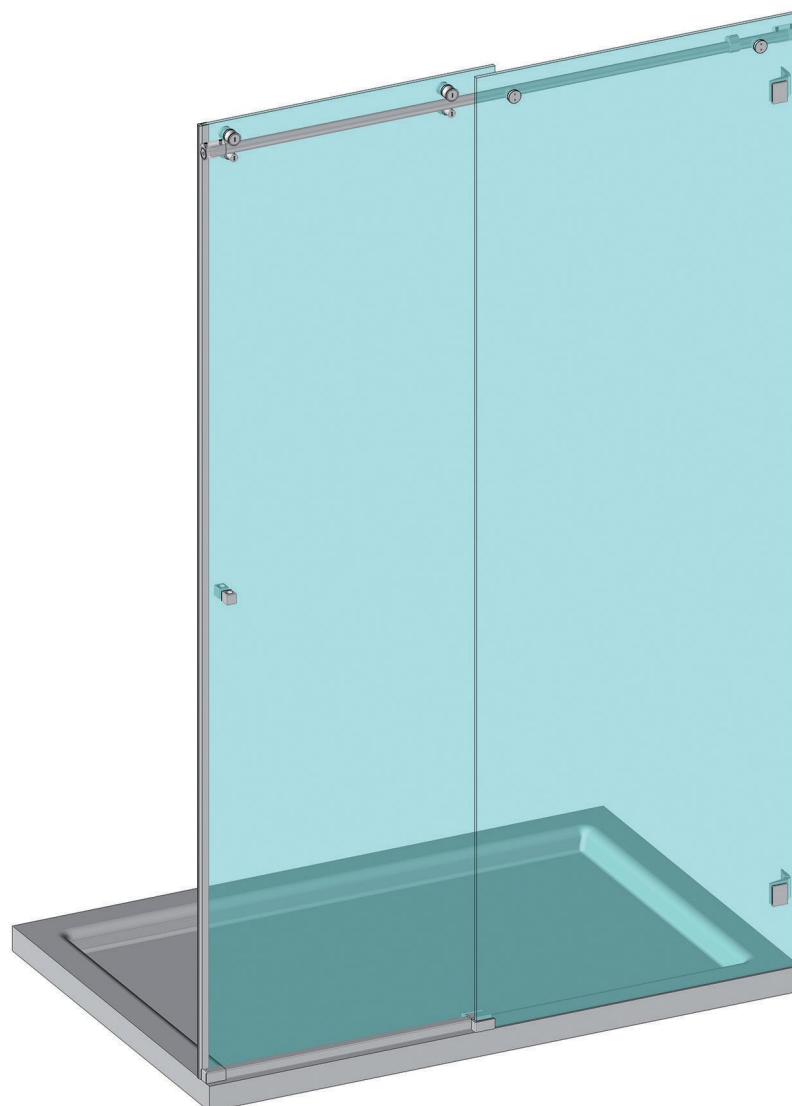
BZ0K43 composto da / composed of



1 x BZ58



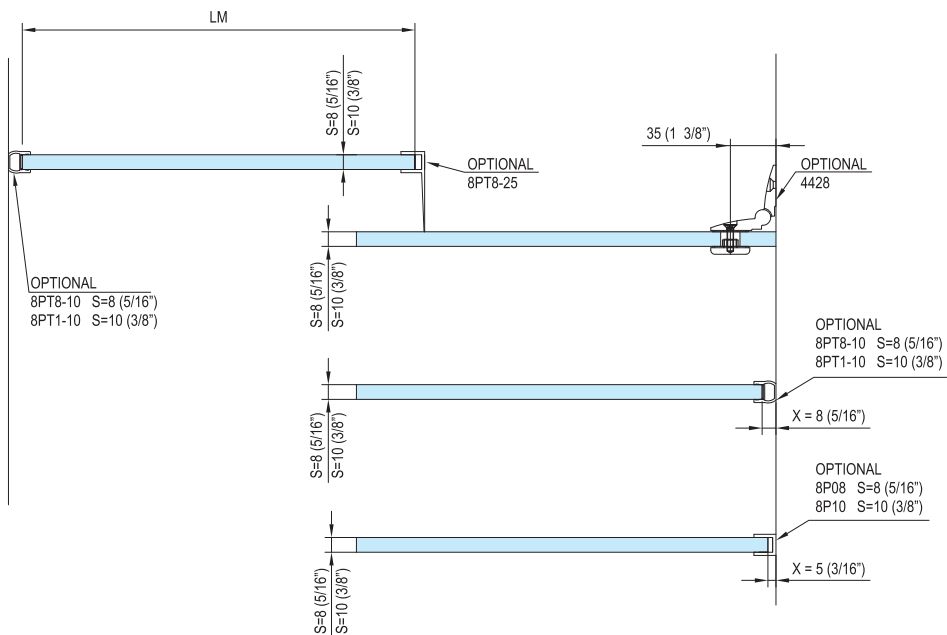
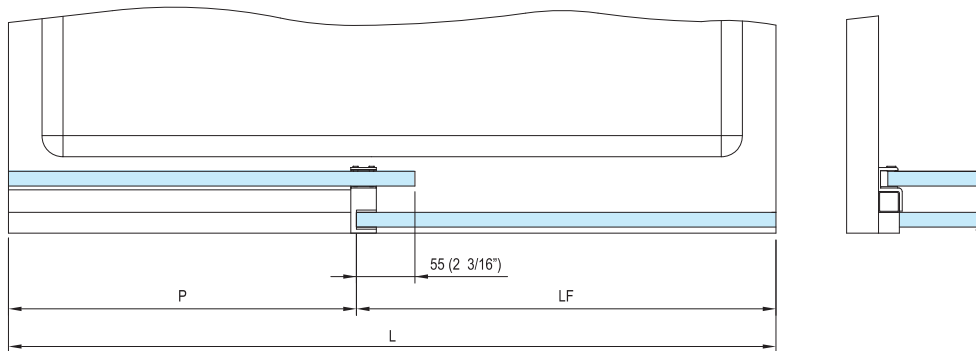
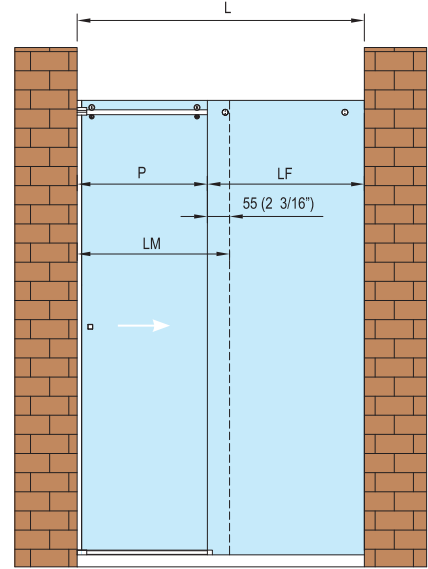
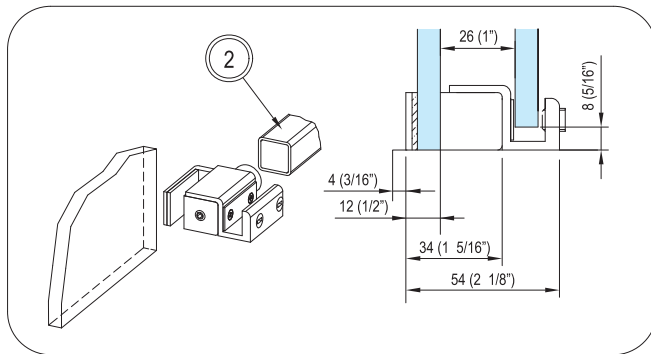
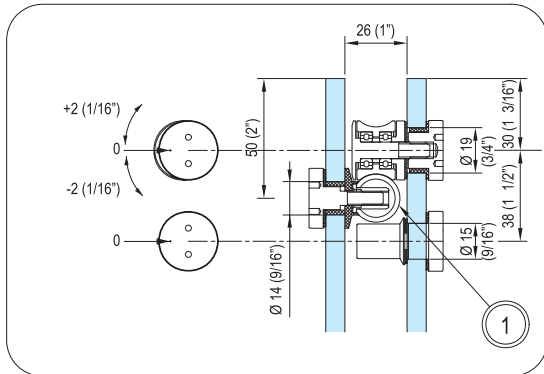
1 x BZ43



BZ03

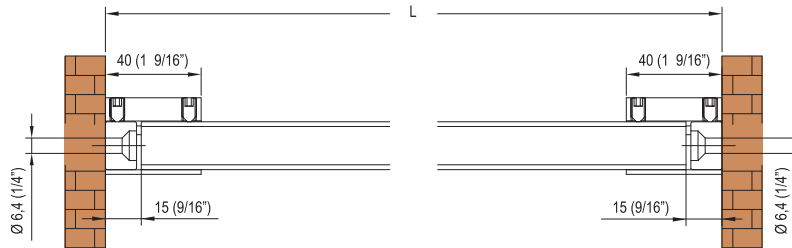
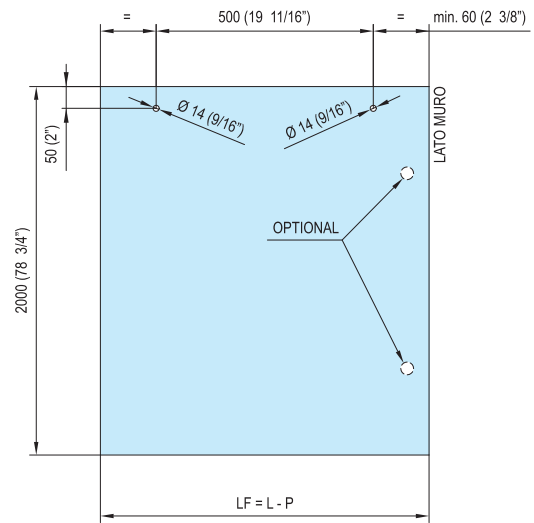
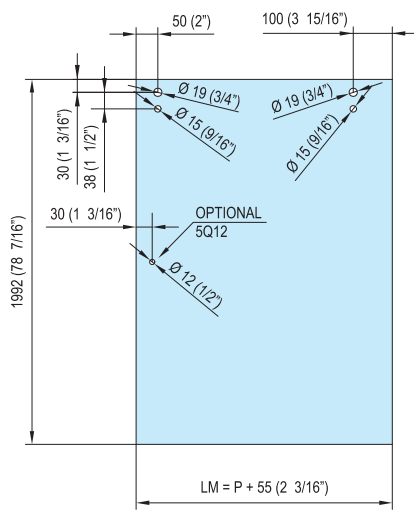
HIP-ZAC system

DATI (Data)	$L = \text{min } 1200 \div \text{max } 1800$	(mm)
DEFINIRE (Define)	$P = \text{min } 450 \div \text{max } (L/2 - 55)$	(mm)
CALCOLARE (Calculate)	$LM = (P + 55)$	(mm)
CALCOLARE (Calculate)	$LF = (L - P)$	(mm)

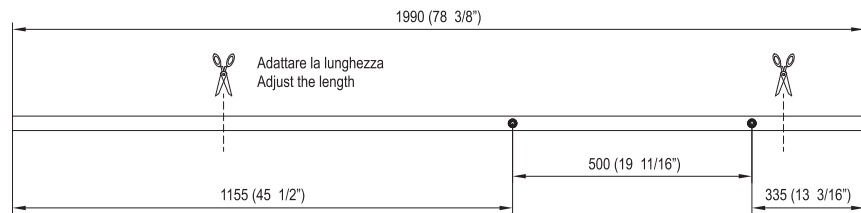


BZ03

HIP-ZAC system



1 $\varnothing 20 \times 1.5$
(13/16" x 1/16")



2 20x20x1.5
(13/16" x 13/16" x 1/16")

